

# UPSäver<sup>®</sup> 3vo

**Modular High Power UPS**  
**for large data centers**  
**Hot scalable up to 2.67 MW**  
Ultimate scalability and flexibility



**BORRI<sup>®</sup>**

Modular, scalable and adaptable high power UPS's for Enterprise Data Centers and IT business critical applications, designed for the changing demands of your Data Center with the Lowest Total Cost of Ownership (TCO).

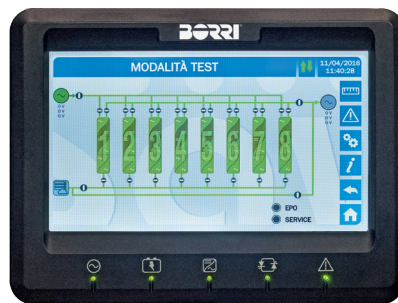


### Applications

- Data centers
- Cloud
- Networking services
- Telecommunication equipment
- Critical cooling

### Highlights

- 98.5% average efficiency (VFI 97%) and 4 high efficiency operating modes.
- Hot scalable 333 kW modules up to 2.67 MW in a single unit.
- Power parallel scalable up to 21 MW.
- Very small footprint and 572 kW/m<sup>2</sup> power density.
- System design flexibility.
- Total installation adaptability.
- VRLA, Li-Ion and Fly-Wheel compatible.
- Solutions for peak shaving.
- 10" colour touch screen display.



### Reduced TCO

Reducing your Total Cost of Ownership (TCO) is our goal.

How UPSaver 3vo helps your CapEx:

- Pay as you grow - thanks to hot scalability.
- Tailored to the room layout - thanks to total design and installation flexibility.
- Minimal spare parts - thanks to sub-modularity.

How UPSaver 3vo helps your OpEx:

- Quick upgrade and maintenance thanks to hot scalability and serviceability.
- Adapts to load requirement thanks to automatic power control.
- Always delivering maximum efficiency thanks to 4 high efficiency operating modes.
- Higher efficiency also means less cooling thus reducing your CO<sub>2</sub> footprint.



# 98.5% Average Efficiency

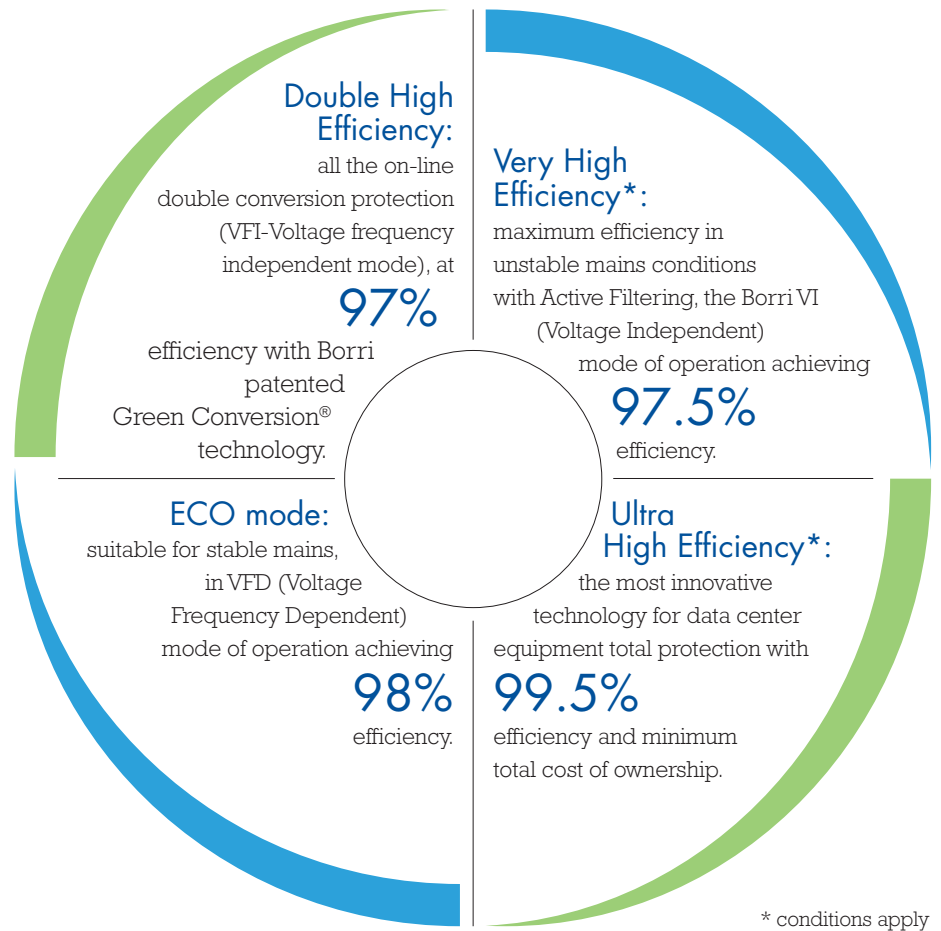
Borri UPSaver 3vo delivers unsurpassed system efficiency for maximum availability and cost saving. Adaptive capability and automatic power control to maximize the system efficiency while maintaining full system reliability, thanks to Load Based Shutdown algorithm.

## 3-L patented Green Conversion technology

- Latest generation IGBT.
- UPS life extension.
- Battery life extension.

## Revolutionary current parallel of modules

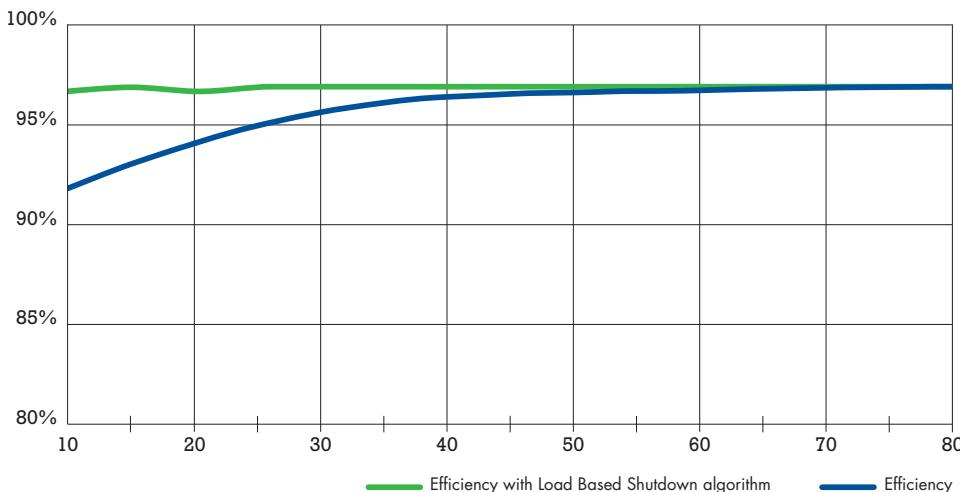
- No circulating currents.
- No system efficiency reduction.
- Stable high power parallel system.
- No stress on battery and power components.
- Distributed redundancy is easily achieved.



## 4 dynamic operation modes

- High efficiency double conversion VFI.
- Enhanced Active Filtering VI.
- Energy saving ECO mode VFD.
- Ultra High Efficiency mode VFD.

## 97% VFI efficiency at any load



Load Based Shutdown algorithm optimizes the number of active modules to maximize system efficiency. This enables the UPS to adapt to load requirement, whilst keeping highest VFI protection.

- Energy saving at data center typical operation.
  - Extended service life.
  - Enhanced module performance.
- Operational and TCO peace of mind.

# 3D Scalability

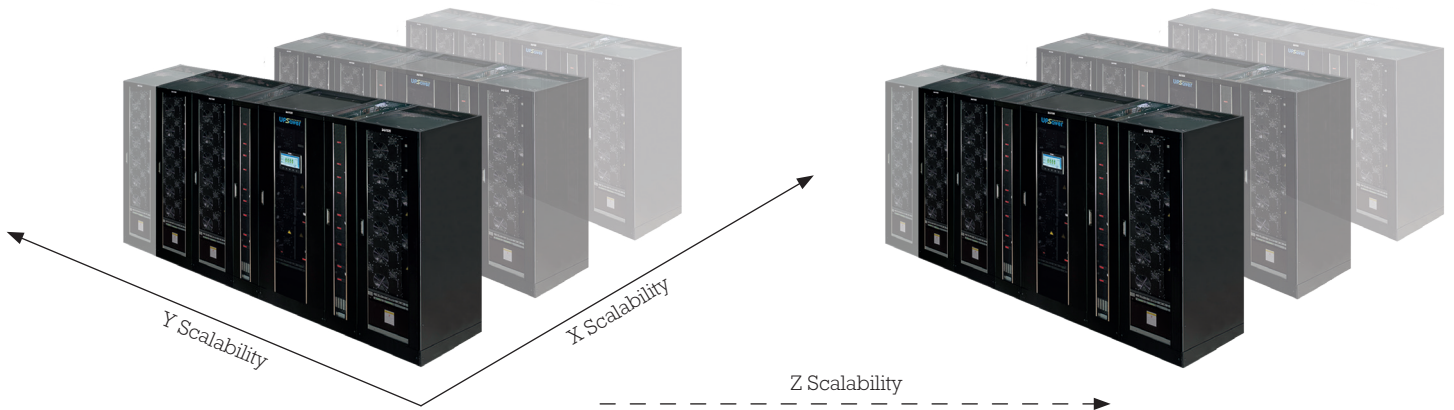
Hot VFI scalability up to 2.67 MW in a single unit, up to 21 MW in a parallel system and synchronized dual feed systems.

## Flexible power upgrade

- X- Hot Swap Module Scalability to 2.67 MW.
- Y- Parallel Power Scalability up to 21 MW.
- Z- Availability Scalability for distributed redundancy.

## Designed for versatility

UPSaver 3vo is an extremely versatile system, allowing for any maintenance or power resizing to be carried out while units are online. Top or bottom entry for cables or busbar and adaptive terminal boards ensure robust design in any data center electrical infrastructure.



# Minimised Service Time

## Hot VFI swappable in minutes for lowest MTTR

Sub-modules can be individually extracted for service purposes while the UPS is protecting your critical load in VFI mode.

## Replacing all power components and no firmware to update

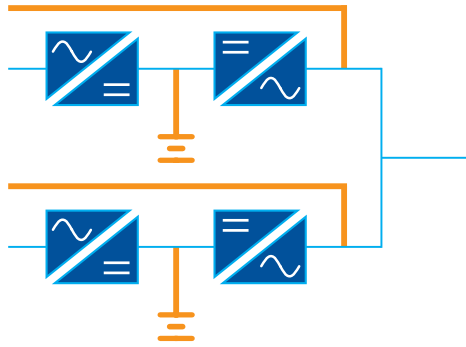
All serviceable components are fitted in sub-modules and no firmware to update upon replacement, ensuring Periodical Preventive Maintenance in no time.

## Minimal spare parts: one fits all

Same sub-module up to 2.67 MW allowing you to secure the whole range of units with minimal spare part set.

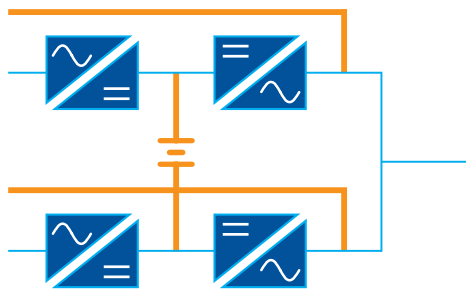


Distributed Static Bypass  
Distributed Battery  
for unparallelled modularity



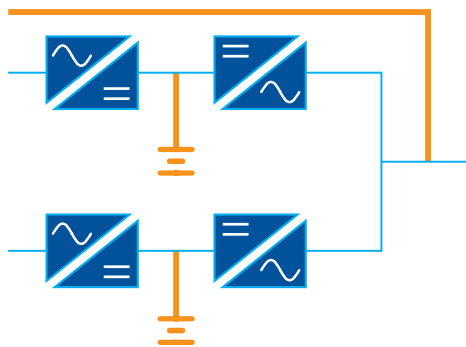
Each 333 kW module is equipped with a static bypass switch and a dedicated battery bank. The highest system flexibility for maximum adaptive capability to variable IT space.

Distributed Static Bypass  
Central Battery  
for minimum floorspace



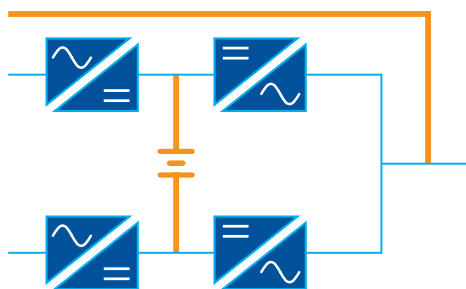
Each 333 kW module is equipped with a static bypass switch. A single battery bank is connected to the UPS. DC isolation with string separators can be used to ensure live maintainability. The most cost effective and space saving modular solution.

Central Static Bypass  
Distributed Battery  
for enhanced short circuit protection



A central static bypass switch is fitted, sized for the whole UPS power. Each 333 kW module is equipped with a dedicated battery bank. This ensures high fault current which might be needed when the UPS is installed next to the MV/LV switchboard.

Central Static Bypass  
Central Battery  
minimum MTTR maximum selectivity



A central static bypass switch is fitted, sized for the whole UPS power and a single battery bank is connected to the UPS. DC isolation with string separators can be used to ensure live maintainability. The robustness of a standalone UPS in a modular layout, for minimum MTTR and maximum selectivity performance.

# Optimised Footprint

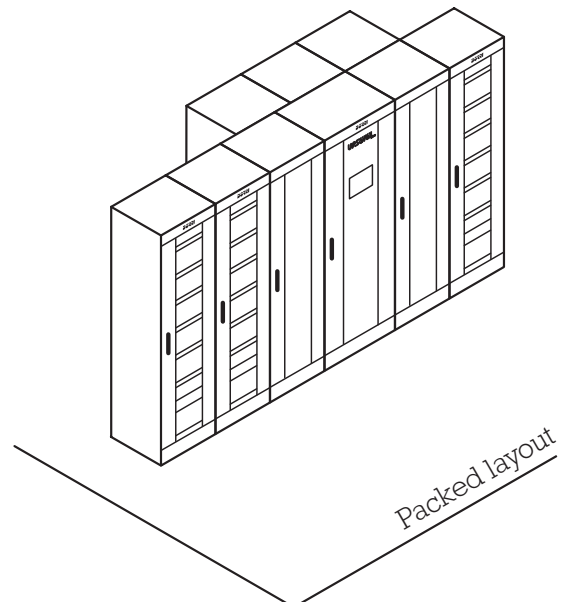
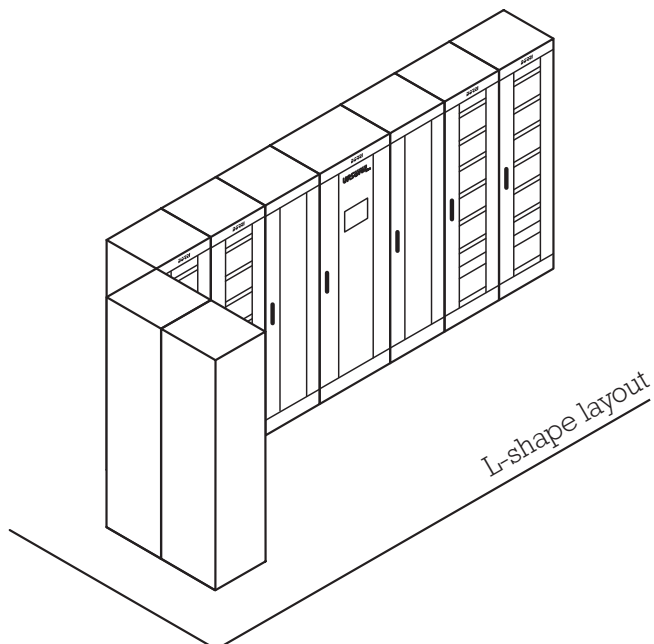
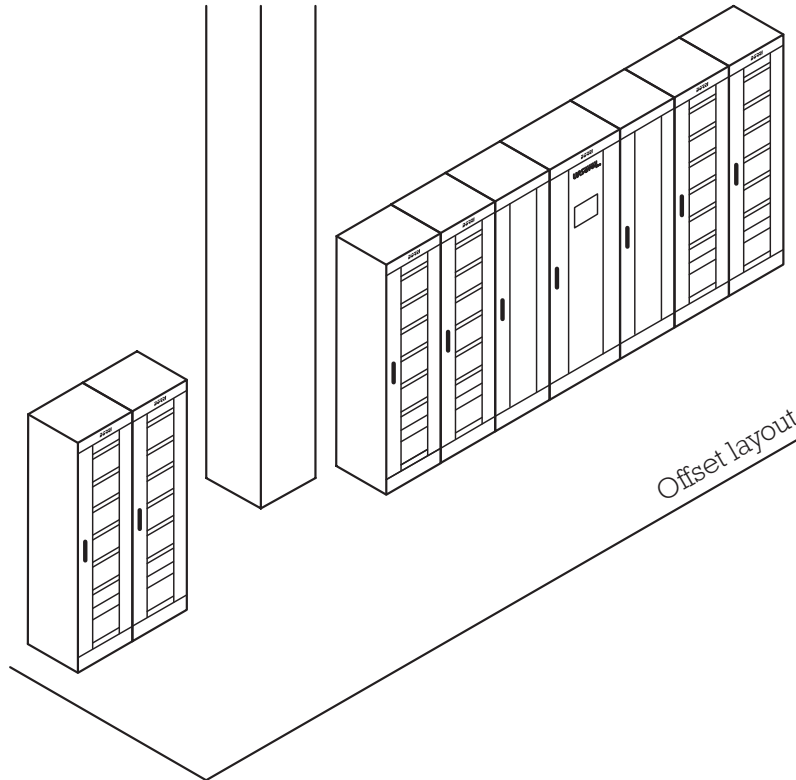
Extreme layout flexibility allows you to free up space for other equipment or overcome room constraints like pillars, walls or other devices. UPSaver 3vo is designed around your new or existing data center.

## Careless Positioning

- Flexible layout.
- No rear or side access.
- Top or bottom cable entry.
- 572 kW/m<sup>2</sup> power density.

## Constraint-free layout

333 kW modules are connected to the I/O unit by internal flexible connections, allowing constraint-overcoming positioning like packed layout, L-shape layout, offset layout and more.



## UPSAVER 3vo technical data

Rating (kVA)	670	1000	1340	1670	2000	2340	2670
N nominal power (kW)	670	1000	1340	1670	2000	2340	2670
No. of modules	2	3	4	5	6	7	8
UPS dimensions WxDxH (mm)*	2450x970x2100	3050x970x2100	4100x970x2100	4700x970x2100	5700x970x2100	(***)	(***)
UPS weight (kg)*	1800	2540	3170	3900	4700	(***)	(***)
Battery configuration	External 360 to 372 cells, VRLA (other options)						

### Input

Connection type	Hardwired 4w (rectifier), 4w (bypass)
Nominal voltage	400 Vac 3-phase with neutral (rectifier), 380/400/415 Vac 3-phase with neutral (bypass)
Voltage tolerance	-20%, +15% (rectifier); ±10% (bypass)
Frequency and range	50/60 Hz, 45 to 65 Hz
Power factor	0.99
Current distortion (THDi)	<3%

### Output

Connection type	Hardwired 4w
Nominal voltage	380/400/415 Vac 3-phase with neutral
Frequency	50/60 Hz
Voltage regulation (VFI)	Static: ±1%; dynamic: IEC/EN 62040-3 Class 1
Power factor	Any power factor (leading or lagging) up to 1, without power derating
Overload capability	Inverter: 125% for 10 min, 150% for 1 min; bypass: 150% continuous, 1000% for 1 cycle
AC/AC efficiency**	Up to 99.5%
Classification as per IEC/EN 62040-3	VFI-SS-111

### Connectivity and function extensions

Front panel	10" colour touch screen display, 1024x600 pixels
Remote communication	Included: serial RS232 and USB; input terminal block (remote emergency power off, battery circuit breaker aux. cont., external maintenance bypass circuit breaker aux. cont., diesel mode aux. cont., external output circuit breaker aux. cont., remote transfer to bypass mode); SPDT contact relay board; ModBus-RTU (RS485); Optional: ModBus-TCP/IP (Ethernet); ModBus-RTU to PROFIBUS DP adapter
Optional features	Isolation transformer; custom battery cabinets; wall-mounted battery fuse switch box; battery thermal probe; parallel kit; load-sync for single UPS and load-sync box (2 UPS systems); other options on request

### System

Protection degree	IP 20
Colour	RAL 9005
Installation layout	Wall, back to back and side by side installation allowed
Accessibility	Front and top access, bottom and top cable entry
Parallel configuration	Up to 8 UPS, for a total of 21 MW

\* referred to distributed battery, distributed static switch, bottom cable entry. For other configurations contact our sales team \*\* according to IEC/EN 62040-3 \*\*\* contact our sales team

## Other features

### Environmental

Operating temperature	0°C to +40°C
Storage temperature	-10°C to +70°C
Altitude (AMSL)	< 1000 m without power reduction, > 1000 m with reduction of 0.5% per 100 m
Audible noise at 1m (dBA)	<50 (UHE)

### Standards and certifications

Quality assurance, environment, health and safety	ISO 9001:2008, ISO 14001:2004, BS OHSAS 18001:2007
Safety	IEC/EN 62040-1
EMC	IEC/EN 62040-2
Environmental aspects	IEC/EN 62040-4
Test and performance	IEC/EN 62040-3
Protection degree	IEC 60529
Marking	CE

**Borri Headquarters and Factory****Borri S.p.A**

Via 8 Marzo, 2  
52011 Bibbiena (AR)  
Italy  
Tel. +39 0575 5351  
Fax +39 0575 561811  
info@borri.it

For more information about Borri and its network please visit: [www.borri.it](http://www.borri.it)

**Sold in India by NUMERIC:****Head Office**

10<sup>th</sup> Floor, Prestige Center Court,  
Office Block, Vijaya Forum Mall, 183,  
N.S.K Salai, Vadapalani,  
Chennai - 600 026.  
Phone: +91 44 4656 5555

**Regional Offices****New Delhi**

A 25, 1<sup>st</sup> Floor, Mohan Co-Operative  
Industrial Estate, Mathura Road,  
New Delhi - 110 044.  
Phone: +91 11 26990028/29/30

**Kolkata**

Bhakta Tower, Plot No. KB22,  
2<sup>nd</sup> & 3<sup>rd</sup> Floor, Salt Lake City, Sector - III,  
Kolkata - 700 098.  
Phone: +91 33 4021 3535/3536

**Mumbai**

C/203, Corporate Avenue, Atul Projects,  
Near Mirador Hotel, Chakala, Andheri  
Ghatkopar Link Road, Andheri (East),  
Mumbai - 400 099  
Phone: +91 22 3385 6201

**Chennai**

10<sup>th</sup> Floor, Prestige Center Court,  
Office Block, Vijaya Forum Mall, 183,  
N.S.K Salai, Vadapalani,  
Chennai - 600 026  
Phone: +91 44 3024 7236/200

**Branch offices****Chandigarh**

SCO 4, First Floor,  
Sector 16, Panchkula,  
Chandigarh - 134 109  
Phone: +91 93160 06215

**Dehradun**

First Floor, Plot No, 1 &2,  
(679/1) Vijay Park Colony,  
Main Chakratavv Rd,  
Dehradun - 248 001  
Phone: +91 135 272 9649

**Jaipur**

Plot No. J-6, Scheme-12B,  
Sharma Colony,  
Bais Godown,  
Jaipur - 302 019  
Phone: +91 141 221 9082

**Lucknow**

209/B, 2nd Floor, Cyber Heights,  
Vibhuti Khand, Gomti Nagar,  
Lucknow - 226 018  
Phone: +91 93352 01364

**Bhubaneswar**

N-2/72 Ground Floor,  
IRC Village, Nayapally,  
Bhubaneswar - 751 015  
Phone: +91 674 255 0760

**Guwahati**

House No 02,  
Rajgarh Girls High School Road  
(Behind Rajgarh Girls High School) ,  
Guwahati - 781 007  
Phone: +91 361 245 0322/245 1987

**Patna**

204, Fraser Road,  
Hemplaza, 2<sup>nd</sup> Floor,  
Patna - 800 001  
Phone: +91 612 220 0657

**Ranchi**

202 & 203,  
Bardwan Compound,  
Lalpur, 2<sup>nd</sup> Floor,  
Ranchi - 834 001  
Phone: +91 651 221 4071

**Ahmedabad**

A-101/102, Mondeal Heights,  
Beside Hotel Novotel,  
Near Iscon Circle,  
S G Highway,  
Ahmedabad - 380 015  
Phone: +91 79 6134 0555

**Bhopal**

Plot No. 160,  
Devashish Complex,  
2nd Floor, Zone-I, MP Nagar,  
Bhopal - 462 011  
Phone: +91 755 276 4202

**Nagpur**

Plot No.173, Ground Floor,  
Utkarsh Ashwini Appts,  
RPTS Road, Laxmi Nagar,  
Nagpur - 440 022  
Phone: +91 712 228 6991/228 9668

**Pune**

302, 3 rd Floor,  
Swastik Chambers,  
Above ICICI Bank,  
Off Karve Road, Erandwane,  
Pune - 411 004  
Phone: +91 84 5201 4036

**Bengaluru**

No-58, First Floor, Firoze White Manor,  
Bowring Hospital Road,  
Shivajinagar, Bangalore - 560 001.  
Phone: +91 80 6822 0000

**Coimbatore**

No. B-15, Thirumalai Towers,  
No. 723, 4<sup>th</sup> Floor, Avinashi Road,  
Coimbatore - 641 018  
Phone: +91 422 420 4018

**Hyderabad**

No. 205-208, 2<sup>nd</sup> Floor, Block 2,  
White House Kundan Bag, Begumpet,  
Hyderabad - 500 016  
Phone: +91 40 4567 1732

**Kochi**

Door No. 50/1107A9,  
JB Manjooran Estate,  
3<sup>rd</sup> Floor, Bypass Junction,  
Edappally, Kochi - 682 024  
Phone: +91 484 2801 921

**Madurai**

Door. No.1,  
Pillayar Koil Street,  
S.S.Colony,  
Madurai - 625 016.  
Phone: +91 452 260 4555

**NUMERIC**<sup>®</sup>

A Group brand **legrand**

10<sup>th</sup> Floor, Prestige Center Court-Office Block,  
Vijaya Forum Mall, 183,  
NSK Salai, Vadapalani, Chennai - 600 026,  
India | T: +91 44 4656 5555

Sales - enquiry.numeric@numericups.com  
Service - support.numeric@numericups.com

**TOLL FREE NO: 1800 425 3266**

**www.numericups.com**