



WHO SAYS

WORLD CLASS SOLUTIONS
CAN'T BE ACCESSIBLE?

Launching DRX MCCBs

With a range of accessories and winning features.



LIVE THE ADVANTAGE

The pace of life today demands continuous upgrades in efficiency and ways to live smarter. At Legrand, we anticipate your needs with technologically advanced products, investing as much as 5% on Research & Development to deliver superior electrical and digital building infrastructure.

As global specialists, we are aware of reducing the footprint and make our products energy efficient. Our engineering is exacting and is fuelled by design thinking. We call this Designeering. It's not just a deep understanding of our markets, but delivering innovation and technology for being energy positive.

Such expertise helps us fulfil your needs. It also ensures that we keep introducing products that change the way you look at form and function. The energy efficient DRX MCCBs, for example, gives you features, choices and accessories that gives reliable protection and makes your organisation energy positive, as well.



Who says that simple solutions to complex problems won't work, or that the right solutions are always expensive? At Legrand, our focus on innovation and innate understanding of the Indian ecosystem has allowed us to see from the eyes of all our customers. It has given us a clear view of what's needed most in the country. Your needs are in focus once again and the DRX series of Thermomagnetic and Electronic MCCBs combine ease of operation and simplicity with robust safety and reliability.





WHY DO

THE IDEAL SOLUTIONS NEED TO BE UNDERMINED BY A BUDGET?

The Indian ecosystem is value conscious and seeks a solution that works to address their needs to help them manage their budgets and resources better. With the DRX series, greater value is easily within reach.





WHY CAN'T WORLD CLASS SOLUTIONS BE CUSTOMIZED TO LOCAL NEEDS?

DRX 125^{HP}, NEW DRX 250^{HP} AND DRX 630
COMPLETE RANGE. MULTIPLE FEATURES.

CHOICE

- Three different sizes
- Ratings range from 16 to 630 A
- Three breaking capacities: 25, 36 and 50 kA

RELIABILITY

- SEMKO - LOVAG certification
- Compliant with standard IEC 60947-2
- High mechanical endurance (up to 20,000 operations)

ADAPTABILITY

- Fixing on plate
- Dedicated accessories to aid ease of installation
- Wiring via cables or busbars

A COMPREHENSIVE RANGE

The robust design of DRX 125^{HP}, DRX 250^{HP} and DRX 630 offer adjustable protection, different accessories for connection and remote tripping. They are the ideal choice in terms of efficiency and affordability for protection of your electrical installations of up to 630A.



THE RANGE		DRX 125 ^{HP} Adjustable Version	DRX 250 ^{HP} Adjustable Version	DRX 630 Adjustable Version	DRX 250 ^{HP} Electronic S2 Version	DRX 250 ^{HP} Electronic Sg Version	DRX 630 Electronic S2 Version	DRX 630 Electronic Sg Version
		THERMAL MAGNETIC RANGE			ELECTRONIC RANGE			
MOUNTING		ON PLATE	ON PLATE	ON PLATE	ON PLATE	ON PLATE	ON PLATE	ON PLATE
Rated current (In)		From 16 to 125A	From 16 to 250A	From 320 to 630A	From 40 to 250A	From 40 to 250A	From 320 to 630A	From 320 to 630A
Breaking capacity (Icu) at 415 V~		25 kA, 36 kA, 50 kA	25 kA, 36 kA, 50 kA	36 kA, 50 kA	36 kA, 50 kA	36 kA, 50 kA	36 kA, 50 kA	36 kA, 50 kA
Rated service short-circuit breaking capacity Ics (% Icu)		100	100	100	100	100	100	100
Protection	Overload, Ir (A)	0.8 to 1 In	0.8 to 1 In	0.8 to 1 In	0.4 to 1 In	0.4 to 1 In	0.4 to 1 In	0.4 to 1 In
	Overload time delay, tr (s)	--	--	--	3 - 5 - 10 - 15 - 20	3 - 5 - 10 - 15 - 20	3 - 5 - 10 - 15 - 20 - 30	3 - 5 - 10 - 15 - 20 - 30
	Short circuit, Isd (A)	Fixed: 400 A, for In upto 40A 10 x In, for 50 A < In < 125 A	5 to 10 In	5 to 10 In	1.5 to 10 Ir	1.5 to 10 Ir	1.5 to 10 Ir	1.5 to 10 Ir
	Short circuit time delay, tsd(s)	--	--	--	0.01 to 0.5	0.01 to 0.5	0.01 to 0.5	0.01 to 0.5
	Earth fault, Ig (A)	--	--	--	--	0.2 to 1 In	--	0.2 to 1 In
	Earth fault time delay, tg (s)	--	--	--	--	0.1 to 1s	--	0.1 to 1s
	Switchable Thermal Memory	--	--	--	Yes	Yes	Yes	Yes
	Overload Pre-Alarm	--	--	--	I>0.9 Ir	I>0.9 Ir	I>0.9 Ir	I>0.9 Ir
	Overload Alarm	--	--	--	I>1.05 Ir	I>1.05 Ir	I>1.05 Ir	I>1.05 Ir
Over Temperature Alarm	--	--	--	T>90° C	T>90° C	T>90° C	T>90° C	
Number of poles		3P and 4P	3P and 4P	3P and 4P	3P and 4P	3P and 4P	3P and 4P	3P and 4P

WHY CAN'T A SINGLE SOLUTION ANSWER ALL NEEDS?

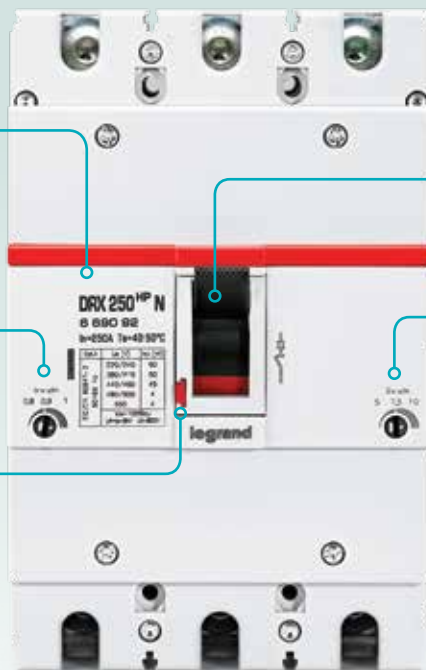
DRX 250^{HP} ADJUSTABLE

Clear, simple, indelible marking on the front of the MCCB stating:

- the thermal magnetic protection,
- the rated current,
- the breaking capacity.

Thermal adjustment: I_r from 0.8 to 1 x I_n on the adjustable version

Test button



Clear identification of the state of the circuit breaker:
I = On
0 = Off

Magnetic adjustment: I_i from 5 to 10 x I_n on the adjustable version⁽¹⁾

ADJUSTABLE PROTECTION

The DRX range is suited for a wide range of applications across a cross-section of industries. The adjustable version gives the possibility to adjust thermal (protection against overloads) and magnetic ⁽¹⁾ (protection against short-circuits) tripping levels.



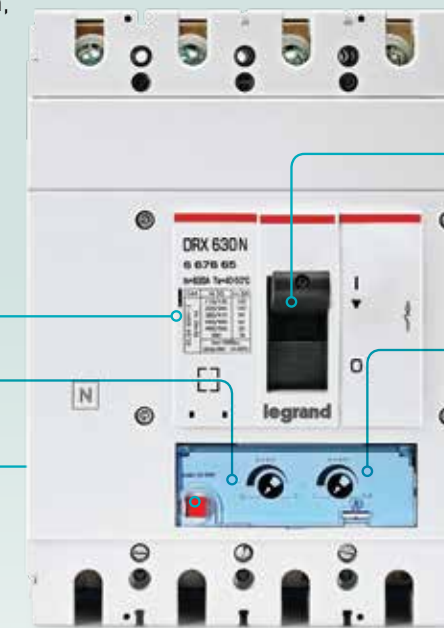
DRX 630 ADJUSTABLE

Clear, simple, indelible marking on the front of the MCCB stating:

- the thermal magnetic protection,
- the rated current,
- the breaking capacity.

Magnetic adjustment: I_i from 5 to 10 x I_n (on the adjustable version)

Test button



Clear identification of the state of the circuit breaker:
I = On
0 = Off

Thermal adjustment: I_r from 0.8 to 1 x I_n (on the adjustable version)

SOLUTIONS FOR ALL TYPES OF SITES

The comprehensive DRX range provides the following solutions:

- any installation requiring flexibility for protecting electric circuits
- all residential, commercial or industrial sites requiring protection and remote tripping functions



HOW CAN A DESIGN SOLUTION ENSURE RELIABILITY AND SAFETY?

THE DRX RANGE HAS A ROBUST DESIGN WITH RUGGED CONSTRUCTION WHICH ENSURES CONTINUITY OF OPERATION EVEN IN EXCESSIVE TEMPERATURES.



The DRX series can easily work at temperatures up to 50°C.



TEST OF ENDURANCE

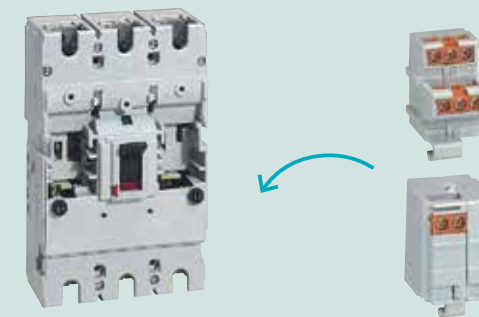
The DRX has proven mechanical endurance up to 20,000 operations.



QUALITY LEVEL

Guaranteed by SEMKO and LOVAG certifications. Compliant with standard IEC 60947-2.

REMOTE TRIPPING FOR SAFETY



→ The control and signalling auxiliaries simply clip on.



FACEPLATE PROTECTION

No live parts are accessible once installed under a faceplate.

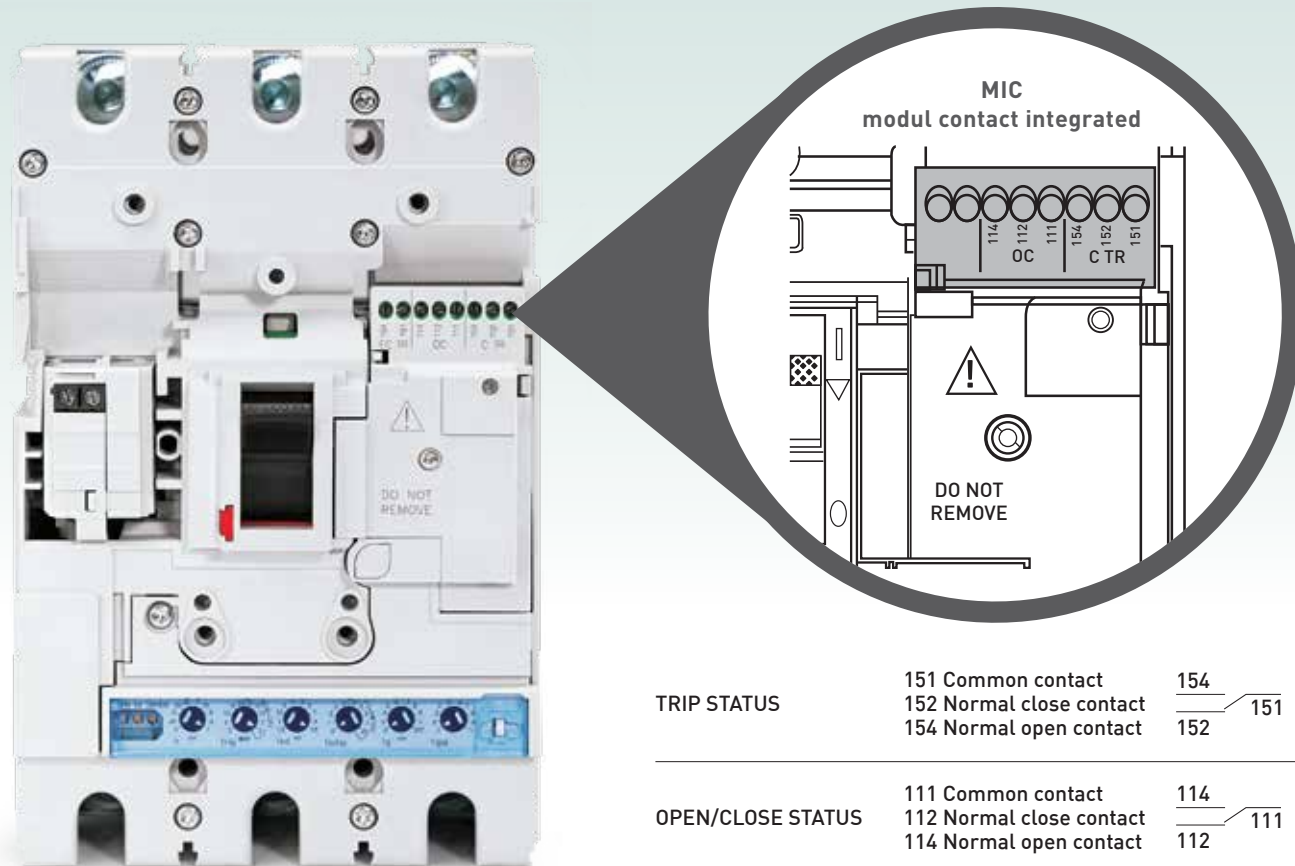
RISK-FREE INTERVENTION

The padlock can be used to lock the handle in "Open" position during maintenance operations and thus avoid any risk of accidents due to mishandling.

HOW CAN ENERGY SAVING BE MADE TIME SAVING TOO?

The DRX 125^{HP}, DRX 250^{HP} and DRX 630 range include numerous accessories which make wiring and installation easier.

In-built auxiliary and trip contact offer faster installation. Mounting in vertical/horizontal position gives enhanced flexibility. Rotary handles offer ease of operation along with possibility to mount Keylocks for mechanical interlocking and safety.

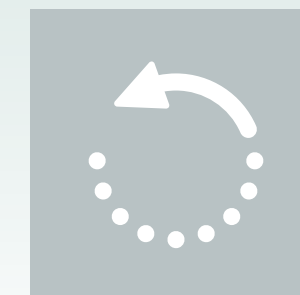


ROTARY HANDLE

The rotary handle, is available in direct or external version in order to accommodate the habits of different users or specific constraints of the site.

HORIZONTAL OPERATION

DRX 125^{HP}, DRX 250^{HP} and DRX 630 can be installed horizontally too, according to the size and type of enclosure.



DRX™ 125 HP adjustable

thermal magnetic MCCBs from 16 to 125 A



6 697 49 6 697 59

Technical characteristics and curves p. 12-13
Dimensions and installation principle p. 14-15

For switching, control, isolation and protection of low-voltage electrical lines. Can be fitted with auxiliaries. Supplied with: screw terminals, fixing screws, insulating shields (2 for 3P and 3 for 4P).

Adjustable thermal
Fixed magnetic
Conform to IEC 60947-2

Pack	Cat.Nos		DRX 125 HP	
	3P	4P		
	Thermal adjustable from 0.8 to 1 x In			
	Breaking capacity Icu 25 kA (415 V)			
	In			
1	6 697 00	6 697 10	16 A	
1	6 697 01	6 697 11	20 A	
1	6 697 02	6 697 12	25 A	
1	6 697 03	6 697 13	32 A	
1	6 697 04	6 697 14	40 A	
1	6 697 05	6 697 15	50 A	
1	6 697 06	6 697 16	63 A	
1	6 697 07	6 697 17	80 A	
1	6 697 08	6 697 18	100 A	
1	6 697 09	6 697 19	125 A	
	Breaking capacity Icu 36 kA (415 V ~)			
	In			
1	6 697 20	6 697 30	16 A	
1	6 697 21	6 697 31	20 A	
1	6 697 22	6 697 32	25 A	
1	6 697 23	6 697 33	32 A	
1	6 697 24	6 697 34	40 A	
1	6 697 25	6 697 35	50 A	
1	6 697 26	6 697 36	63 A	
1	6 697 27	6 697 37	80 A	
1	6 697 28	6 697 38	100 A	
1	6 697 29	6 697 39	125 A	
	Breaking capacity Icu 50 kA (415 V ~)			
	In			
1	6 697 40	6 697 50	16 A	
1	6 697 41	6 697 51	20 A	
1	6 697 42	6 697 52	25 A	
1	6 697 43	6 697 53	32 A	
1	6 697 44	6 697 54	40 A	
1	6 697 45	6 697 55	50 A	
1	6 697 46	6 697 56	63 A	
1	6 697 47	6 697 57	80 A	
1	6 697 48	6 697 58	100 A	
1	6 697 49	6 697 59	125 A	

DRX™ 125 HP adjustable

technical characteristics

Electrical and mechanical characteristics			
	DRX 125 HP 25 kA	DRX 125 HP 36 kA	DRX 125HP 50 kA
Number of poles	3P - 4P	3P - 4P	3P - 4P
Release type	thermal-magnetic		
Rated current In (A)	16, 20, 25, 32, 40, 50, 63, 80, 100, 125		
Rated insulation voltage Ui (V)	800	800	800
Rated operating voltage (50/60 Hz) Ue (V)	550	550	550
Rated impulse withstand Voltage Uimp (kV)	8	8	8
Rated frequency (Hz)	50 - 60	50 - 60	50 - 60
Reference ambient temperature Tamb (°C)	40 - 50	40 - 50	40 - 50
Operating temperature (°C)	-25 to 70	-25 to 70	-25 to 70
Rated ultimate short-circuit breaking capacity Icu (kA) IEC 60947-2	220/240 V~	40	70
	380/415 V~	25	36
	440/460 V~	20	30
	480/500 V~	4	4
	550 V~	4	4
Rated service short-circuit breaking capacity Ics (% Icu)	100	100	100
Rated short-circuit making capacity Icm (kA) at 415 V~	52.5	75.6	105
Neutral protection for 4P version (% Ith)	100	100	100
Rated ultimate short-circuit breaking capacity Icu (kA) NEMA AB-1	220/240 V~	40	70
	480/500 V~	4	4
	550 V~	4	4
Category of use	A	A	A
Suitable for isolation	Yes	Yes	Yes
Thermal adjustment Ir (A)	0.8 - 0.9 - 1.0 x In		
Magnetic adjustment Ii (A)	Fixed : 400 A, for In up to 40 A 10 x In, for 50 A ≤ In ≤ 125 A		
Endurance (cycles)	mechanical	20000	20000
	electrical at In	8000	8000
	electrical at 0.5 In	8000	8000
Neutral protection for 4P version (%)	100	100	100
Dimensions W x H x D (mm)	3P	75 x 130 x 86	
	4P	100 x 130 x 86	
Weight (kg)	3P	0.95	
	4P	1.15	

Deration chart

Thermal Magnetic MCCBs

Modulded-case circuit breaker DRX 125 HP MT	Influence of ambient temperature															
	Ambient temperature	->	°C	-25	-20	-10	-5	0	10	20	30	40	50	60	70	
DRX 125 HP MT	I _n (A)															
			16	20	20	19	19	18	17	17	16	16	15	14		
			20	25	24	24	23	23	21	21	20	20	18	17		
			25	31	30	30	29	28	27	26	25	25	23	22		
			32	40	39	38	37	36	35	33	32	32	2	28		
			40	50	49	48	47	45	43	42	40	40	37	35		
			50	62	61	5	59	56	54	52	50	50	45	43		
			63	79	77	75	74	71	68	65	63	63	57	54		
			80	100	97	95	93	90	86	83	80	80	73	69		
			100	125	121	119	117	112	108	104	100	100	91	86		
		125	157	151	148	146	140	135	130	125	125	114	108			

DRX™ 125 HP accessories



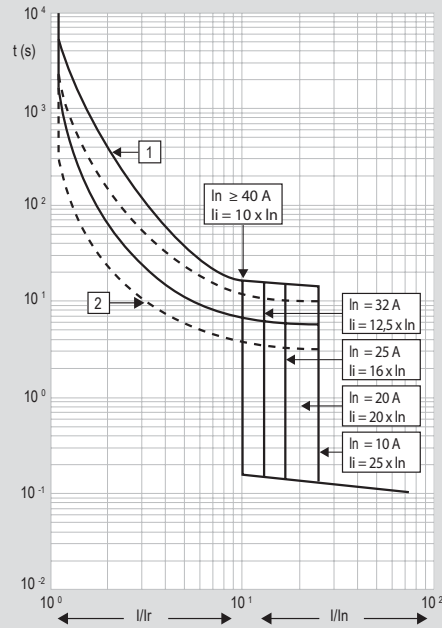
Pack	Cat.Nos		Rotary handles	
1	6687 70		Direct Standard (grey)	
1	6687 71		Vari-depth handle Comprising: connecting rod, bracket, drilling template, mounting accessories, door locking mechanism Standard (grey)	
	Connection accessories			
1	3P	4P	Insulating shields Used to isolate the connection between each pole For DRX 125 HP and DRX 250 HP Set of 2	
1	6 693 00	6 693 01	Set of 3	
1	6 693 08	6 693 09	Sealable terminal shields Set of 2	
1	6250 10	6250 11	Spreaders Set of incoming or outgoing spreaders	
1	6 693 06	6 693 07	Rear terminals Used to convert a fixed version with front terminals into a fixed version with rear terminals Set of 3 rear terminals	
1			Set of 4 rear terminals	
1	0 271 80		Padlock for DRX 125, 250, DRX 125 HP and DRX 250 HP For locking on "OFF" position (up to 3 locks)	

Pack	Cat.Nos		Control and signalling auxiliaries for DRX 125, 250, DRX 125 HP and DRX 250 HP	
	Auxiliary contact blocks For left-hand side mounting Up to 250 V~ and ~			
1	0 271 40	Block with 1 auxiliary		
1	0 271 41	Block with 1 alarm		
1	0 271 42	Block with 1 auxiliary + 1 alarm		
	Shunt trips			
1	0 271 54	200/277 V~		
1	0 271 55	380/480 V~		
	Undervoltage releases			
1	0 271 64	200/240 V~		
1	0 271 65	380/415 V~		

Curves

Thermal magnetic tripping curve (In = 16 A - 80 A)

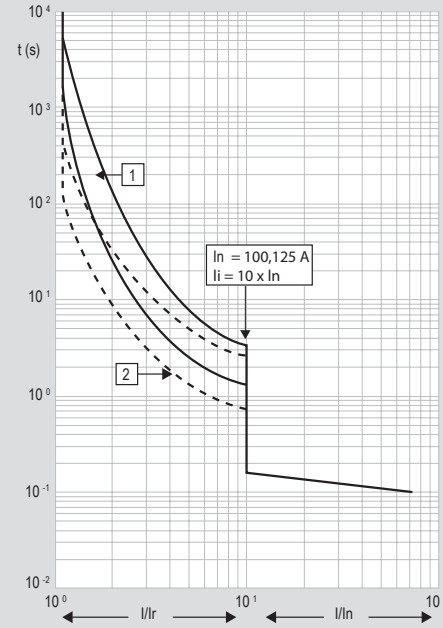
$I_{cu} = 25 / 36 / 50 \text{ kA}$ $I_{max} = 80 \text{ A}$ 3P - 4P $U_0 = 415 \text{ V}$



t = time
I = current
 I_n = rated current
 I_l = long time setting current
cur ve 1 = characteristic with cold start
cur ve 2 = characteristic with hot start

Thermal magnetic tripping curve (In = 100 A - 125 A)

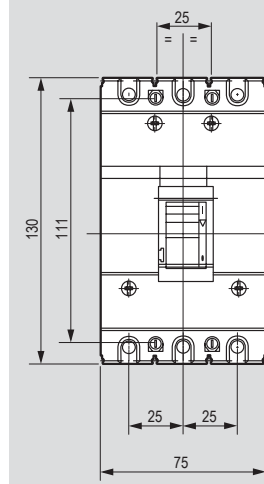
$I_{cu} = 25 / 36 / 50 \text{ kA}$ $I_{max} = 125 \text{ A}$ 3P - 4P $U_0 = 415 \text{ V}$



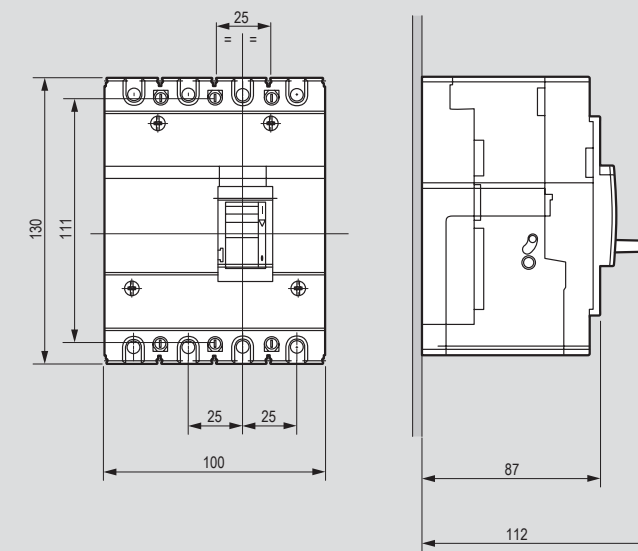
t = time
I = current
 I_n = rated current
 I_l = long time setting current
cur ve 1 = characteristic with cold start
cur ve 2 = characteristic with hot start

Dimensions

3P



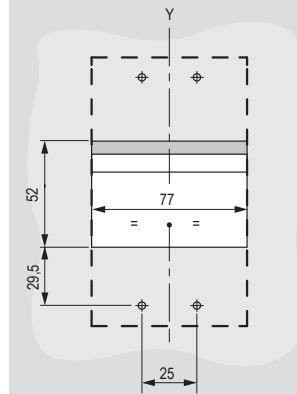
4P



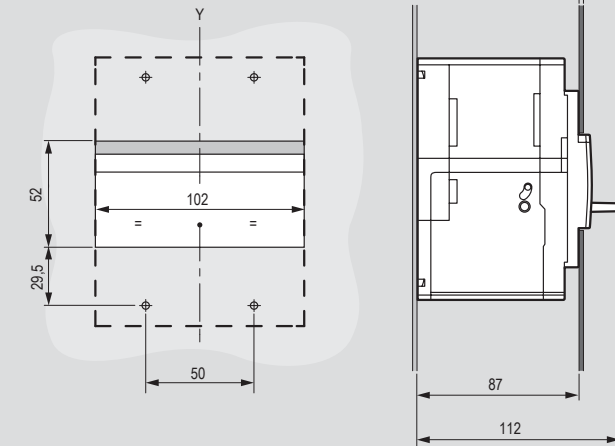
Mounting principle

Door cut-out

3P

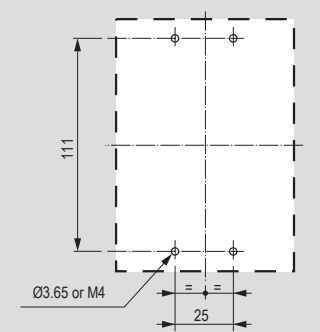


4P

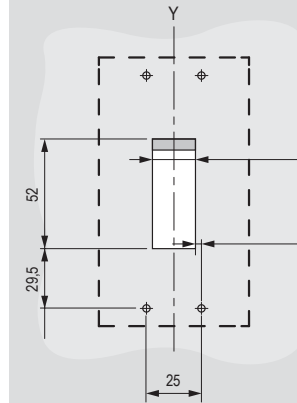


Fixing on plate

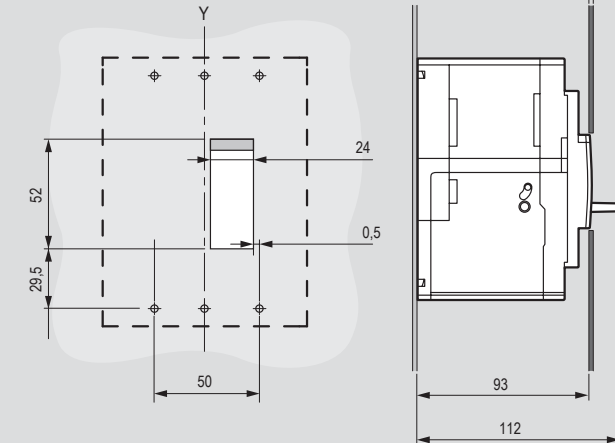
3P



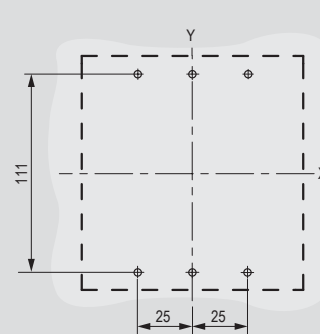
3P



4P



4P

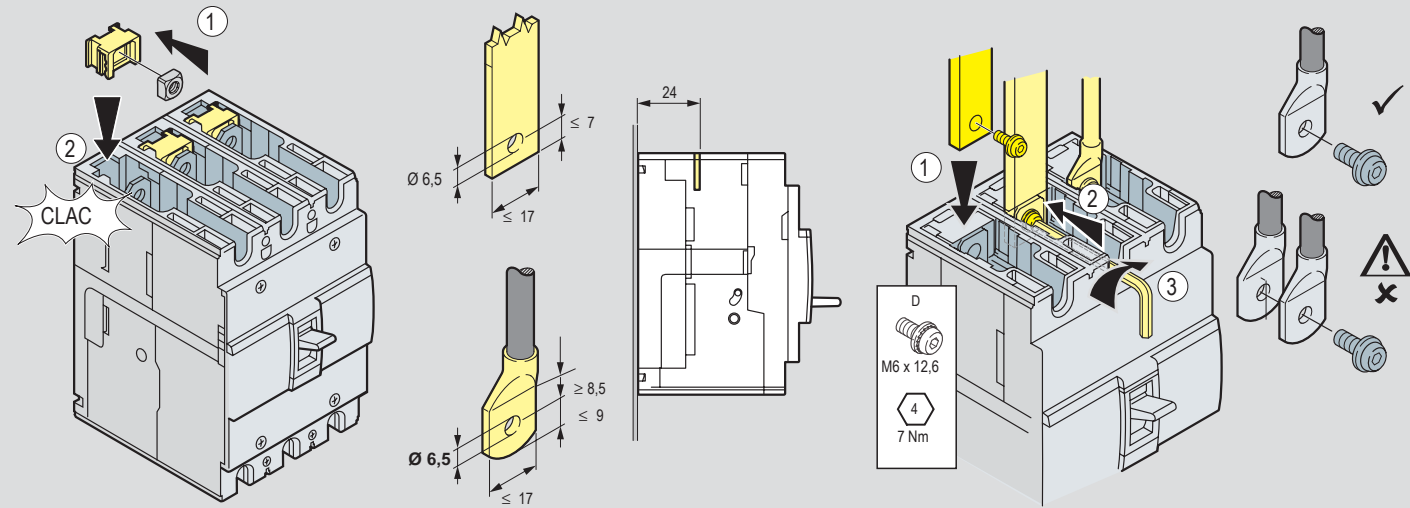


DRX™ 125 HP

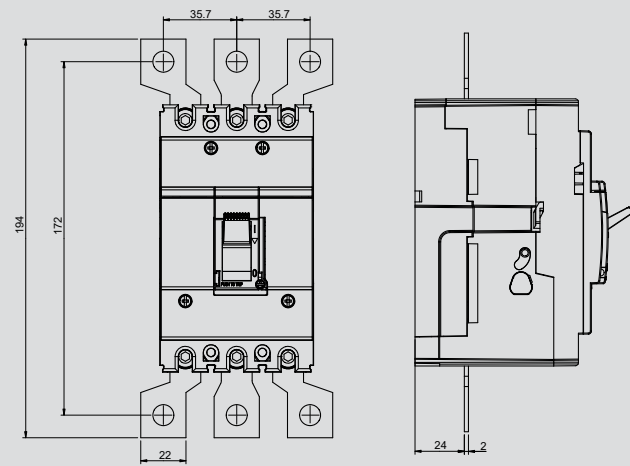
dimensions (continued) and connection

Connection

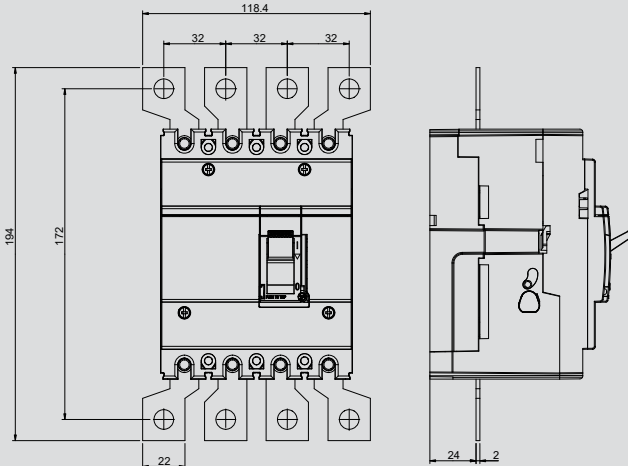
Connection via busbar



DRX125HP 3P



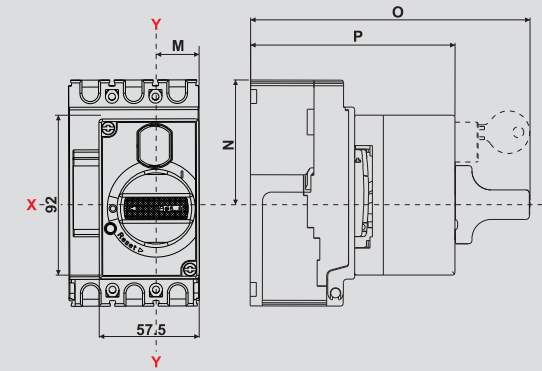
DRX125HP 4P



DRX125 HP

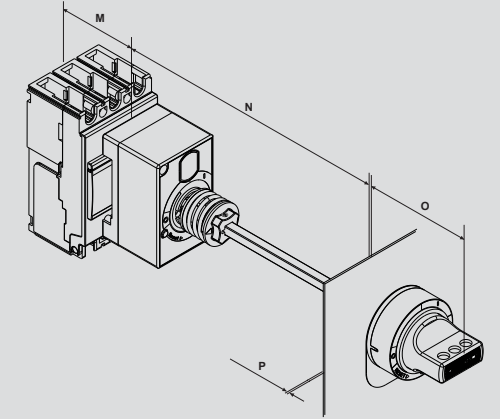
dimensions (continued) and connection

Mounting Details for Direct Handle



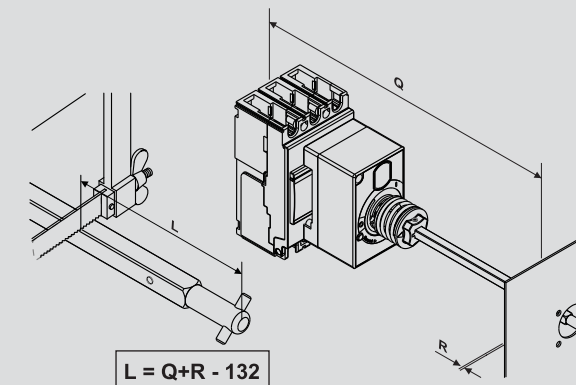
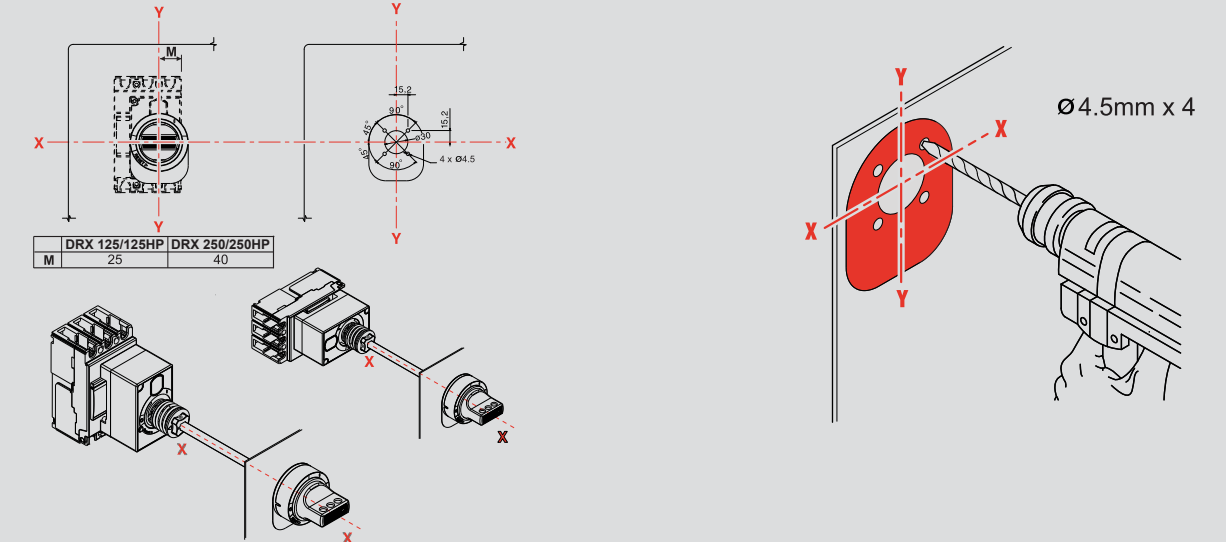
DRX 125HP	
CAT REF	668770, 668785
M	25
N	72.5
O	187
P	144

Mounting Details for Vary Depth Handle



DRX 125HP/250HP	
CAT REF	668771, 668786 668773, 668788
M	86
N	Min 84 - Min 359
O	67.2
P	0.8-2 (R)

Details for Door Cut-Out



$L = Q + R - 132$

DRX™ 250 HP adjustable

thermal magnetic MCCBs from 16 to 250 A



6 690 90

6 691 10

Technical characteristics and curves
Dimensions and installation principle

p. 18-19
p. 20-21

For switching, control, isolation and protection of low-voltage electrical lines. Can be fitted with auxiliaries. Supplied with: screw terminals, fixing screws, insulating shields (2 for 3P and 3 for 4P).
Adjustable thermal and magnetic
Conform to IEC 60947-2

Pack	Cat.Nos		DRX 250 HP
			Thermal adjustable from 0.8 to 1 x In Magnetic adjustable from 5 to 10 x In
			Breaking capacity Icu 25 kA (415 V~) In
	3P	4P	
1	6 690 00	6 690 20	16 A
1	6 690 01	6 690 21	20 A
1	6 690 02	6 690 22	25 A
1	6 690 03	6 690 23	32 A
1	6 690 04	6 690 24	40 A
1	6 690 05	6 690 25	50 A
1	6 690 06	6 690 26	63 A
1	6 690 07	6 690 27	80 A
1	6 690 08	6 690 28	100 A
1	6 690 09	6 690 29	125 A
1	6 690 10	6 690 30	160 A
1	6 690 11	6 690 31	200 A
1	6 690 12	6 690 32	250 A
			Breaking capacity Icu 36 kA (415 V~) In
1	6 690 40	6 690 60	16 A
1	6 690 41	6 690 61	20 A
1	6 690 42	6 690 62	25 A
1	6 690 43	6 690 63	32 A
1	6 690 44	6 690 64	40 A
1	6 690 45	6 690 65	50 A
1	6 690 46	6 690 66	63 A
1	6 690 47	6 690 67	80 A
1	6 690 48	6 690 68	100 A
1	6 690 49	6 690 69	125 A
1	6 690 50	6 690 70	160 A
1	6 690 51	6 690 71	200 A
1	6 690 52	6 690 72	250 A
			Breaking capacity Icu 50 kA (415 V~) In
1	6 690 80	6 691 00	16 A
1	6 690 81	6 691 01	20 A
1	6 690 82	6 691 02	25 A
1	6 690 83	6 691 03	32 A
1	6 690 84	6 691 04	40 A
1	6 690 85	6 691 05	50 A
1	6 690 86	6 691 06	63 A
1	6 690 87	6 691 07	80 A
1	6 690 88	6 691 08	100 A
1	6 690 89	6 691 09	125 A
1	6 690 90	6 691 10	160 A
1	6 690 91	6 691 11	200 A
1	6 690 92	6 691 12	250 A

DRX™ 250 HP

electronic S2/Sg - LSI/LSIg



6 691 98

6 692 08

Technical characteristics and curves
Dimensions and installation principle

p. 18-19
p. 20-21

For switching, control, isolation and protection of low-voltage electrical lines. Can be fitted with auxiliaries. Supplied with: screw terminals, fixing screws, insulating shields (2 for 3P and 3 for 4P).
Adjustable electronic LSI / LSIg
Conform to IEC 60947-2

Pack	Cat.Nos		DRX 250 HP electronic S2 - LSI
			Overload, Ir (A) 0.4 to 1 In Overload time delay, tr (s) 3 - 5 - 10 - 15 - 20 Short circuit, Isd (A) 1.5 to 10 Ir Short circuit time delay, tsd(s) 0.01 to 0.5 Earth fault, Ig (A) Earth fault time delay, tg (s) Switchable Thermal Memory Yes Overload Pre Alarm I>0.9Ir Over Temperature Alarm T>90 °C
			Breaking Capacity Icu 36 kA (415 V) In
	3P	4P	
1	6 691 70	6 691 80	40 A
1	6 691 71	6 691 81	100 A
1	6 691 72	6 691 82	160 A
1	6 691 73	6 691 83	250 A
			Breaking Capacity Icu 50 kA (415 V) In
1	6 691 90	6 692 00	40 A
1	6 691 91	6 692 01	100 A
1	6 691 92	6 692 02	160 A
1	6 691 93	6 692 03	250 A
			DRX 250 HP electronic Sg - LSIg
			Overload, Ir (A) 0.4 to 1 In Overload time delay, tr (s) 3 - 5 - 10 - 15 - 20 Short circuit, Isd (A) 1.5 to 10 Ir Short circuit time delay, tsd(s) 0.01 to 0.5 Earth fault, Ig (A) 0.2 to 1In Earth fault time delay, tg (s) 0.1 to 1s Switchable Thermal Memory Yes Overload Pre Alarm I>0.9Ir Over Temperature Alarm T>90 °C
			Breaking Capacity Icu 36 kA (415 V) In
	3P	4P	
1	6 691 75	6 691 85	40 A
1	6 691 76	6 691 86	100 A
1	6 691 77	6 691 87	160 A
1	6 691 78	6 691 88	250 A
			Breaking Capacity Icu 50 kA (415 V) In
1	6 691 95	6 692 05	40 A
1	6 691 96	6 692 06	100 A
1	6 691 97	6 692 07	160 A
1	6 691 98	6 692 08	250 A

DRX™ 250 HP accessories



6 687 72



0 271 80



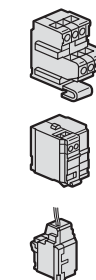
0 271 40



0 271 65

Pack	Cat.Nos		Rotary handles
1	6 687 72		Direct Standard (grey)
1	6 687 73		Vari-depth handle Comprising: connecting rod, bracket, drilling template, mounting accessories, door locking mechanism Standard (grey)
			Connection accessories
			Insulating shields Used to isolate the connection between each pole For DRX 250 HP
1	3P	4P	
1	6 693 00	6 693 01	Set of 2
1	6 250 14	6 240 18	Set of 3
			Spreaders Set of incoming or outgoing spreaders
1	0 271 80		Padlock for DRX 250 HP For locking on "OFF" position (up to 3 locks)
			Rear terminal
1	6 693 10		Rear terminal 3P DRX 250HP
			6 693 11 Rear terminal 4P DRX 250HP

Pack	Cat.Nos		Control and signalling auxiliaries for DRX 250 HP
			Auxiliary contact blocks For left-hand side mounting Up to 250 V~ and =
1	0 271 40		Block with 1 auxiliary
1	0 271 41		Block with 1 alarm
1	0 271 42		Block with 1 auxiliary + 1 alarm
			Shunt trips 200/277 V~ 380/480 V~
1	0 271 54		
1	0 271 55		
			Undervoltage releases 200/240 V~ 380/415 V~
1	0 271 64		
1	0 271 65		



DRX™ 250 HP

thermal magnetic

DRX™ 250 HP

electronic version

DRX™ 250 HP

tripping curves

Electrical and mechanical characteristics

	DRX 250 HP 25 kA	DRX 250 HP 36 kA	DRX 250 HP 50 kA
Number of poles	3P - 4P	3P - 4P	3P - 4P
Release type	thermal-magnetic		
Rated current In (A)	16, 20, 25, 32, 40, 50, 63, 80, 100, 125, 160, 200, 250		
Rated insulation voltage Ui (V)	800	800	800
Rated operating voltage (50/60 Hz) Ue (V)	550	550	550
Rated impulse withstand Voltage Uimp (kV)	8	8	8
Rated frequency (Hz)	50 - 60	50 - 60	50 - 60
Reference ambient temperature Tamb (°C)	40 - 50	40 - 50	40 - 50
Operating temperature (°C)	-25 to 70	-25 to 70	-25 to 70
Rated ultimate short-circuit breaking capacity Icu (kA) IEC 60947-2	220/240 V~	40	90
	380/415 V~	25	50
	440/460 V~	20	45
	480/500 V~	4	4
Rated service short-circuit breaking capacity Ics (% Icu)	100	100	100
Rated short-circuit making capacity Icm (kA) at 415 V~	52.5	75.6	105
Neutral protection for 4P version (% Ith)	100	100	100
Rated ultimate short-circuit breaking capacity Icu (kA) NEMA AB-1	220/240 V~	40	90
	480/500 V~	4	4
	550 V~	4	4
Category of use	A	A	A
Suitable for isolation	Yes	Yes	Yes
Thermal adjustment Ir (A)	0.8 - 0.9 - 1.0 x In		
Magnetic adjustment II (A)	Adjustable : 400 A, for In up to 40 A 6.5 - 10 - 13 x In, for In = 50 A 5 - 7.5 - 10 x In, for 63 A ≤ In ≤ 250 A		
	mechanical	12000	12000
	electrical at In	6000	6000
Endurance (cycles)	electrical at 0.5 In	6000	6000
	Neutral protection for 4P version (%)	100	100
Dimensions W x H x D (mm)	3P	105 x 165 x 86	
	4P	140 x 165 x 86	
Weight (kg)	3P	1.6	
	4P	2.05	

Deration chart

Thermal Magnetic MCCBs

Modulded-case circuit breaker DRX 250 HP MT	Influence of ambient temperature												
	Ambient temperature °C	-25	-20	-10	-5	0	10	20	30	40	50	60	70
		I _n (A)											
DRX 250 HP MT	16	24	23	22	21	21	20	18	17	16	16	13	12
	20	29	29	27	26	26	24	23	21	20	20	17	15
	25	37	36	34	33	32	30	29	27	25	25	21	19
	32	47	46	44	42	41	39	37	34	32	32	27	24
	40	59	57	54	53	52	49	46	43	40	40	34	30
	50	74	72	68	66	64	61	57	54	50	50	42	38
	63	93	90	86	83	81	77	72	68	63	63	53	47
	80	118	114	109	106	103	98	92	86	80	80	67	60
	100	147	143	136	132	129	122	115	107	100	100	84	75
	125	184	179	170	166	161	152	143	134	125	125	105	94
	160	235	229	218	212	206	195	184	172	160	160	134	120
	180	265	257	245	238	232	219	207	193	180	180	151	136
	200	294	286	272	265	258	244	230	215	200	200	168	151
	225	331	322	306	298	290	274	258	242	225	225	189	169
	250	368	358	340	331	322	305	287	269	250	250	210	188

Deration chart

Electronic S2/Sg MCCBs

Moulded-case circuit breaker DRX 250 HP E	Influence of ambient temperature					
	Ambient temperature °C	up to 40	50	60	70	
		I _n (A)				
DRX 250 HP E	40	40	40	40	40	
	100	100	100	100	95	
	160	160	160	160	155	
	250	250	250	210	190	

Electrical and mechanical characteristics

	DRX 250 HP 36 kA	DRX 250 HP 50 kA	DRX 250 HP 36 kA	DRX 250 HP 50 kA	
Number of poles	3P - 4P	3P - 4P	3P - 4P	3P - 4P	
Release type	Electronic S2	Electronic Sg	Electronic S2	Electronic Sg	
Rated current In (A)	40-100-160-250	40-100-160-250	40-100-160-250	40-100-160-250	
Rated insulation voltage Ui (V)	800	800	800	800	
Rated operating voltage (50/60 Hz) Ue (V)	550	550	550	550	
Rated impulse withstand Voltage Uimp (kV)	8	8	8	8	
Rated frequency (Hz)	50 - 60	50 - 60	50 - 60	50 - 60	
Reference ambient temperature Tamb (°C)	40 - 50	40 - 50	40 - 50	40 - 50	
Operating temperature (°C)	-25 to 70	-25 to 70	-25 to 70	-25 to 70	
Rated ultimate short-circuit breaking capacity Icu (kA) IEC 60947-2	220/240 V~	70	90	90	
	380/415 V~	36	50	36	50
	440/460 V~	30	45	30	45
	480/500 V~	4	4	4	4
Rated service short-circuit breaking capacity Ics (% Icu)	100	100	100	100	
Rated short-circuit making capacity Icm (kA) at 415 V~	75.6	105	75.6	105	
Neutral protection for 4P version (% Ith)	0-50% -100%	0-50% -100%	0-50% -100%	0-50% -100%	
Rated ultimate short-circuit breaking capacity Icu (kA) NEMA AB-1	220/240 V~	70	90	90	
	480/500 V~	4	4	4	4
	550 V~	4	4	4	4
Category of use	A	A	A	A	
Suitable for isolation	Yes	Yes	Yes	Yes	
Overload, Ir (A)	0.4 to 1 In	0.4 to 1 In	0.4 to 1 In	0.4 to 1 In	
Overload time delay, tr (s)	3 - 5 - 10 - 15 - 20	3 - 5 - 10 - 15 - 20	3 - 5 - 10 - 15 - 20	3 - 5 - 10 - 15 - 20	
Short circuit, Isd (A)	1.5 to 10 Ir	1.5 to 10 Ir	1.5 to 10 Ir	1.5 to 10 Ir	
Short circuit time delay, tsd(s)	0.01 to 0.5	0.01 to 0.5	0.01 to 0.5	0.01 to 0.5	
Earth fault, Ig (A)		0.2 to 1 In		0.2 to 1 In	
Earth fault time delay, tg (s)		0.1 to 1s		0.1 to 1s	
Switchable Thermal Memory	Yes	Yes	Yes	Yes	
Overload Pre Alarm	>0.9 Ir	>0.9 Ir	>0.9 Ir	>0.9 Ir	
Over Temperature Alarm	T>90 °C	T>90 °C	T>90 °C	T>90 °C	
Endurance (cycles)	mechanical	12000			
	electrical at In	6000			
	electrical at 0.5 In	6000			
Dimensions W x H x D (mm)	3P	105 x 165 x 86			
	4P	140 x 165 x 86			
Weight (kg)	3P	1.6			
	4P	2.05			

Deration chart

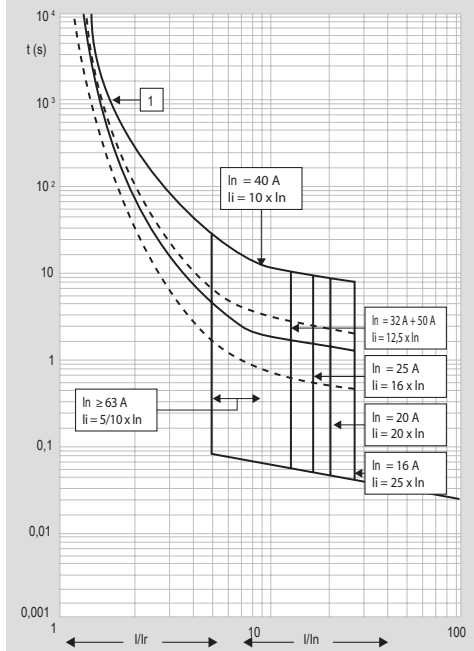
Electronic S2/Sg MCCBs

Moulded-case circuit breaker DRX 250 HP E	Influence of ambient temperature					
	Ambient temperature °C	up to 40	50	60	70	
		I _n (A)				
DRX 250 HP E	40	40	40	40	40	
	100	100	100	100	95	
	160	160	160	160	155	
	250	250	250	210	190	

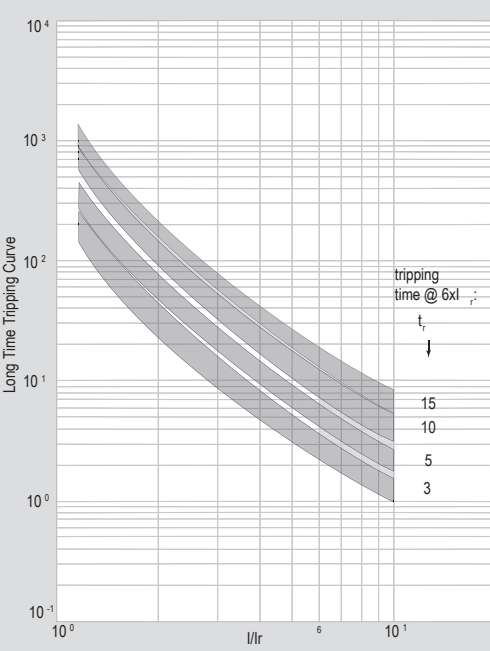
Curves

Thermal magnetic tripping curve

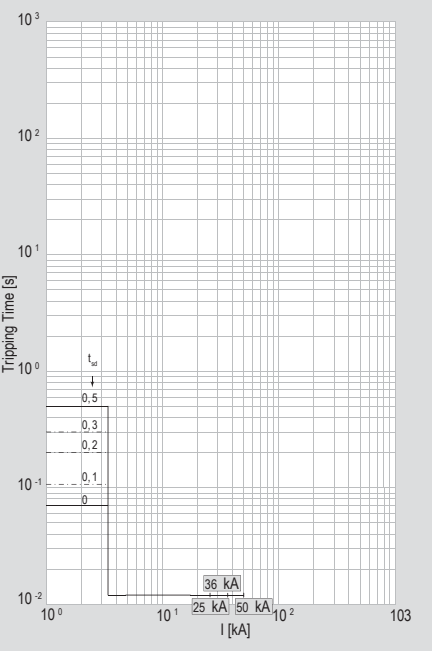
I_{cu} = 25/36/50 kA I_{max} = 250 A 3P - 4P U_e = 415 V~



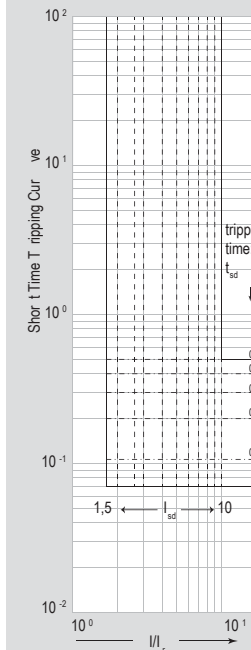
Electronic overload tripping curve



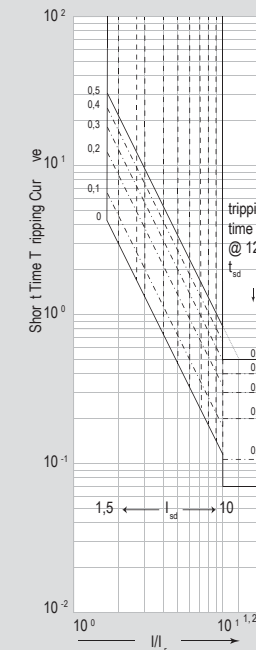
Electronic short circuit tripping curve



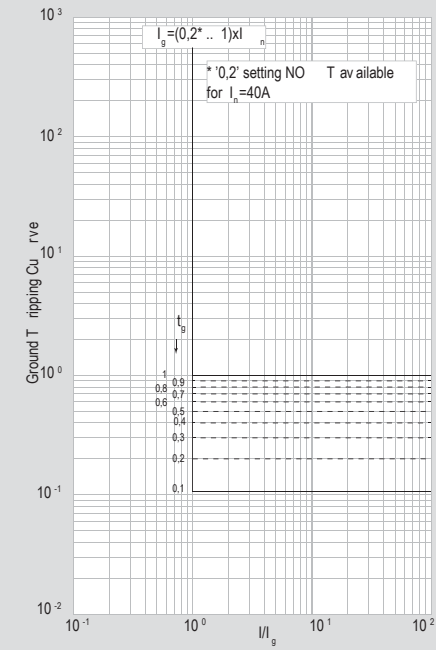
Electronic short circuit tripping curve



Electronic short circuit tripping curve

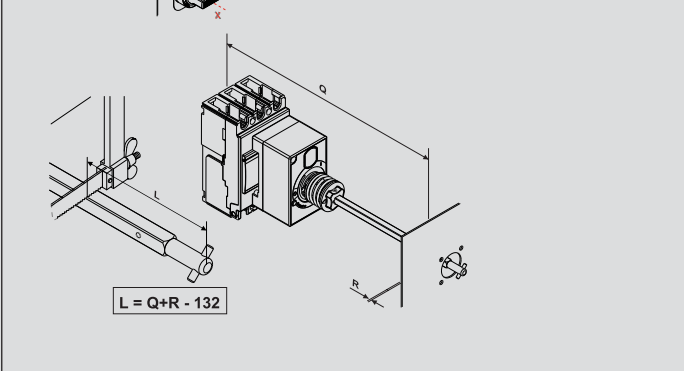
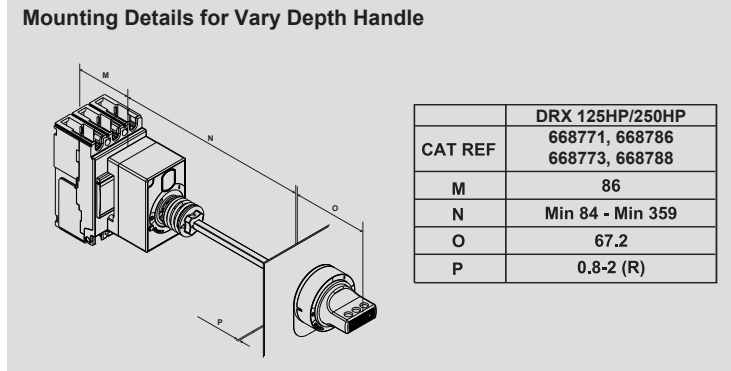
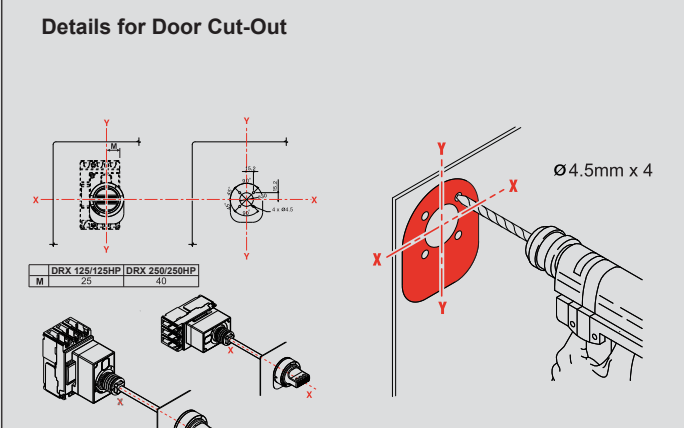
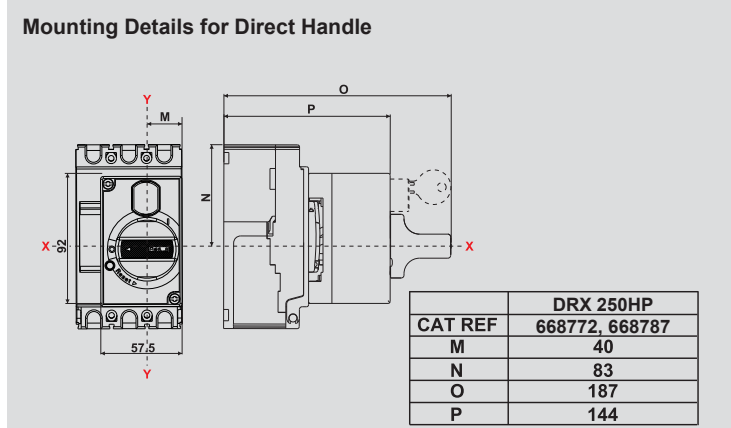
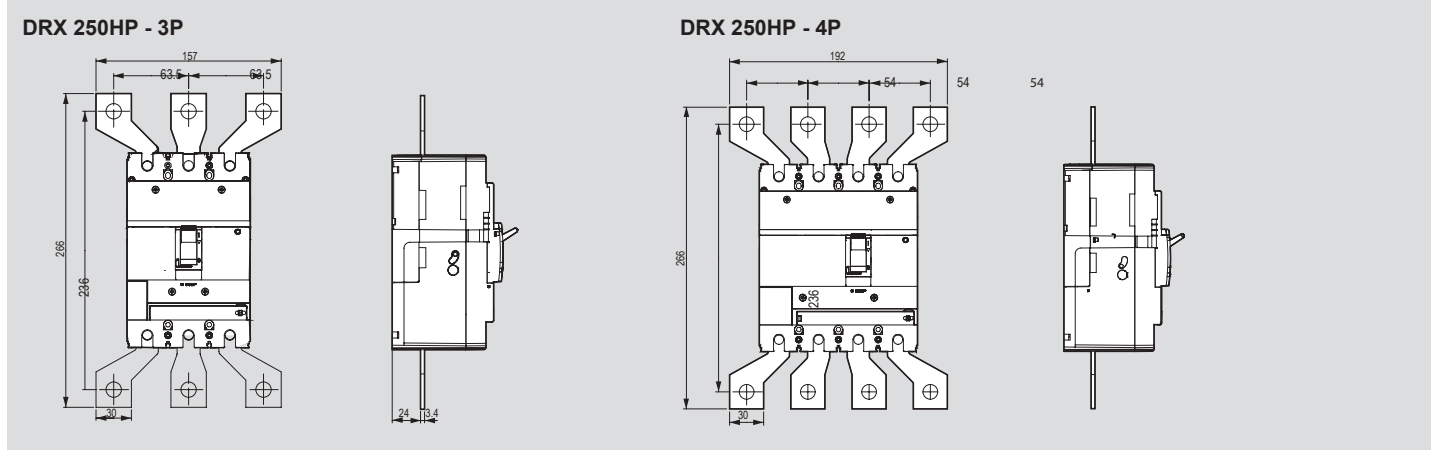
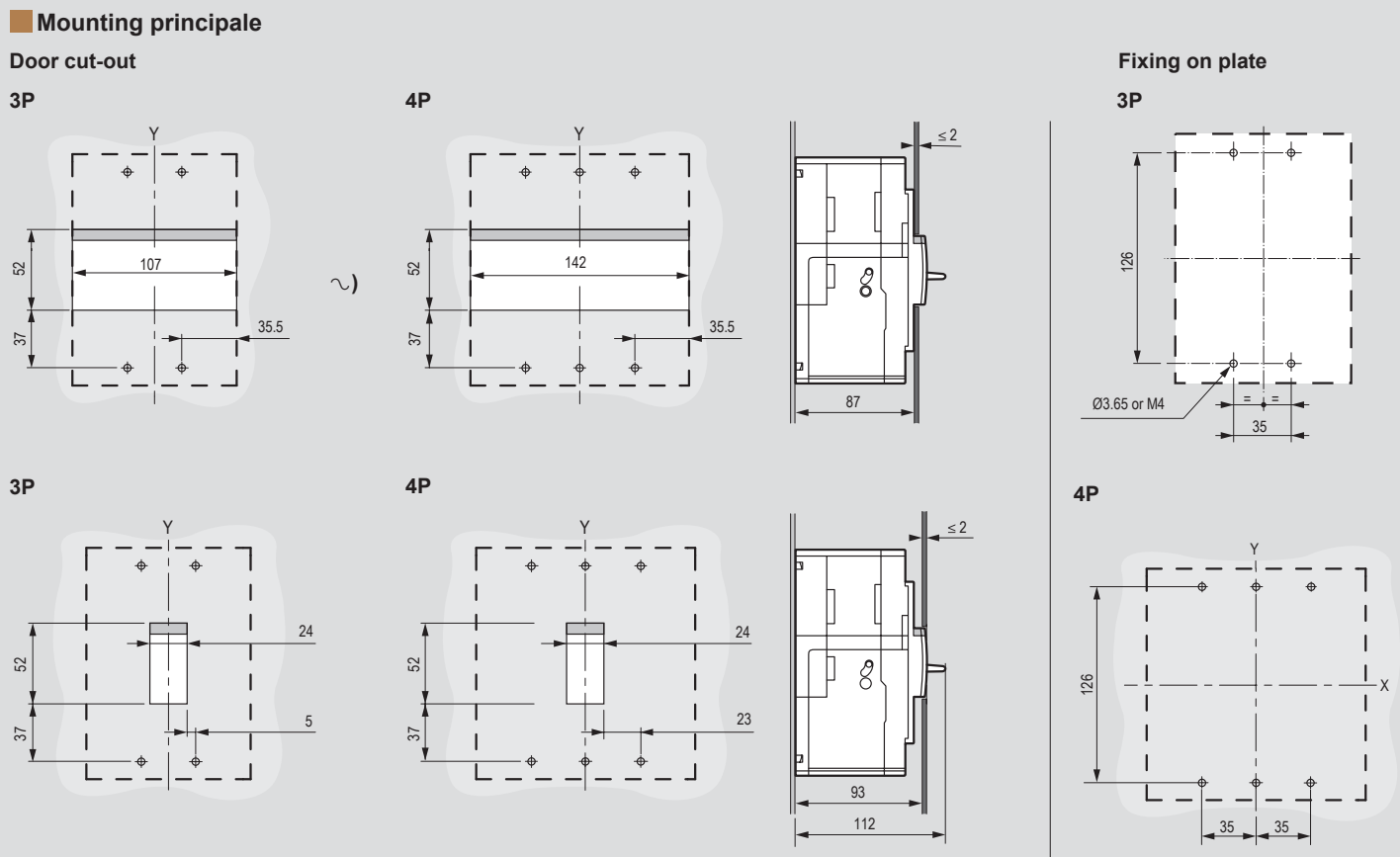
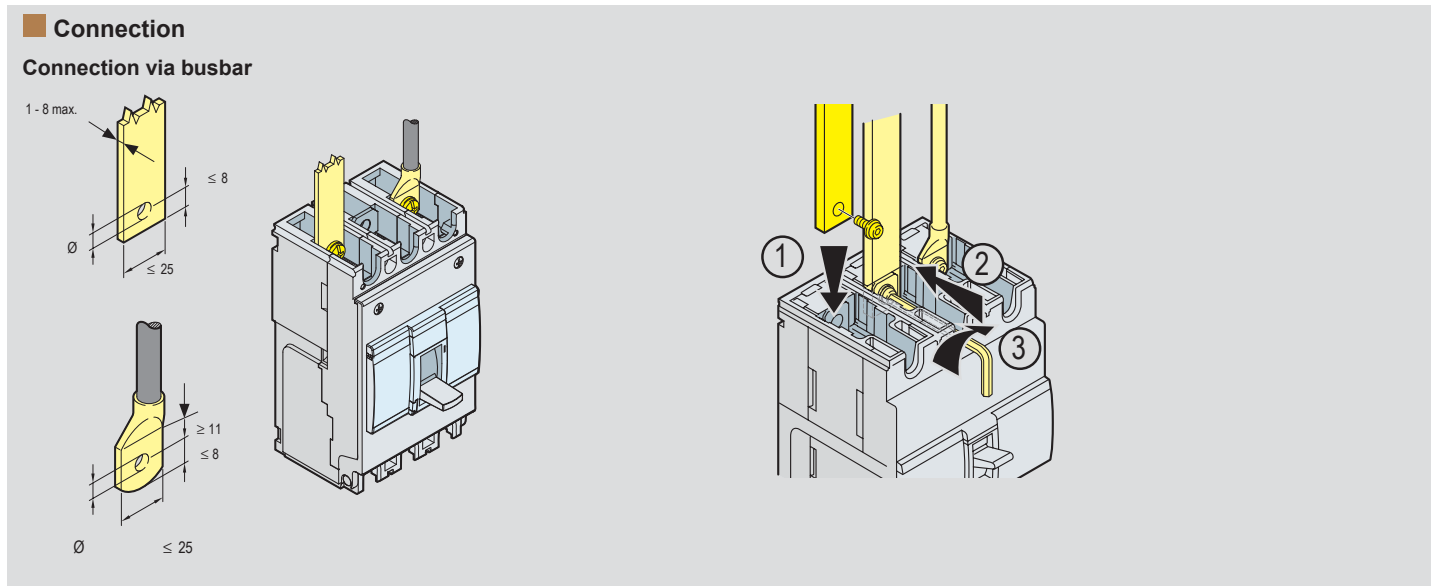
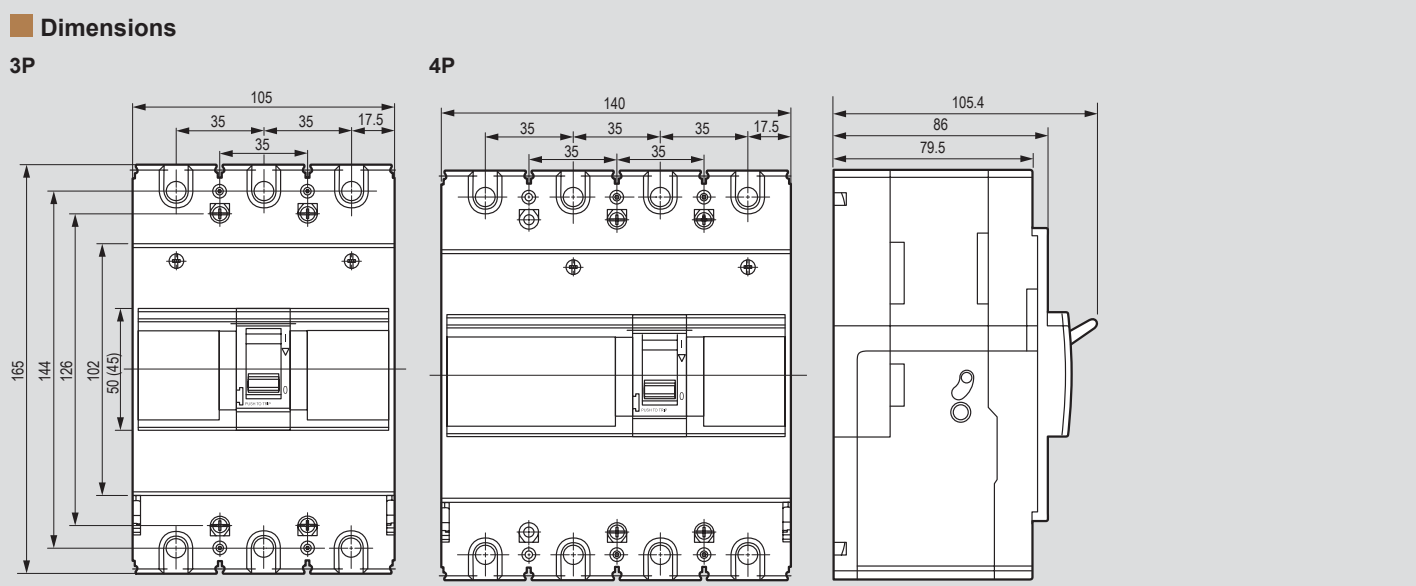


Electronic earth fault tripping curve



DRX™ 250 HP
dimensions and mounting principle

DRX™ 250 HP
dimensions (continued) and connection



DRX™ 630 adjustable

thermal magnetic MCCBs from 320 to 630 A



6 676 51

6 676 5

Technical characteristics and curves **p. 24-25**

For switching, control, isolation and protection of low-voltage electrical lines
Can be fitted with auxiliaries
Supplied with:
- Screw terminals
- Fixing screws
- Insulating shields (2 for 3P and 3 for 4P)
Adjustable thermal and magnetic
Conform to IEC 60947-2

Pack	Cat.Nos		DRX 630
			Thermal adjustable from 0.8 to 1 x In Magnetic adjustable from 5 to 10 x In
			Breaking capacity Icu 36 kA (415 V~) In
1	3P 6 676 50	4P 6 676 54	320 A
1	6 676 51	6 676 55	400 A
1	6 676 52	6 676 56	500 A
1	6 676 53	6 676 57	630 A
			Breaking capacity Icu 50 kA (415 V~) In
1	6 676 58	6 676 62	320 A
1	6 676 59	6 676 63	400 A
1	6 676 60	6 676 64	500 A
1	6 676 61	6 676 65	630 A

DRX™ 630

electronic S2/Sg - LSI/LSIg



6 699 34

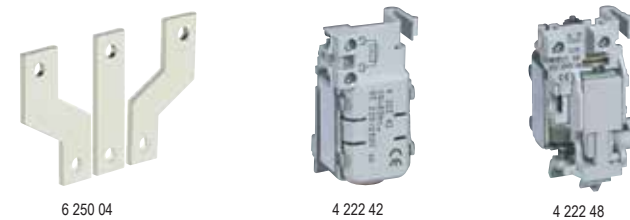
6 699 39

Technical characteristics and curves **p. -25**

For switching, control, isolation and protection of low-voltage electrical lines
Can be fitted with auxiliaries
Supplied with:
- Screw terminals
- Fixing screws
- Insulating shields (2 for 3P and 3 for 4P)
Adjustable electronic LSI / LSIg
Conform to IEC 60947-2

Pack	Cat.Nos		DRX 630 electronic S2 - LSI
			Overload, Ir (A) 0.4 to 1 In Overload time delay, tr (s) 3 - 5 - 10 - 15 - 20 - 30 Short circuit, Isd (A) 1.5 to 10 Ir Short circuit time delay, tsd(s) 0.01 to 0.5 Earth fault, Ig (A) Earth fault time delay, tg (s) Switchable Thermal Memory Yes Overload Pre Alarm I>0.9Ir Over Temperature Alarm T>90 °C Breaking Capacity Icu 36 kA (415 V) In
1	3P 6 699 01	4P 6 699 06	320 A
1	6 699 02	6 699 07	400 A
1	6 699 04	6 699 09	630 A
			Breaking Capacity Icu 50 kA (415 V) In
1	6 699 11	6 699 16	320 A
1	6 699 12	6 699 17	400 A
1	6 699 14	6 699 19	630 A
			DRX 630 electronic Sg - LSIg Overload, Ir (A) 0.4 to 1 In Overload time delay, tr (s) 3 - 5 - 10 - 15 - 20 - 30 Short circuit, Isd (A) 1.5 to 10 Ir Short circuit time delay, tsd(s) 0.01 to 0.5 Earth fault, Ig (A) 0.2 to 1In Earth fault time delay, tg (s) 0.1 to 1s Switchable Thermal Memory Yes Overload Pre Alarm I>0.9Ir Over Temperature Alarm T>90 °C Breaking Capacity Icu 36 kA (415 V) In
1	3P 6 699 21	4P 6 699 26	320 A
1	6 699 22	6 699 27	400 A
1	6 699 24	6 699 29	630 A
			Breaking Capacity Icu 50 kA(415 V) In
1	6 699 31	6 699 36	320 A
1	6 699 32	6 699 37	400 A
1	6 699 34	6 699 39	630 A

DRX™ 630 accessories

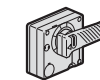


6 250 04

4 222 42

4 222 48

Pack	Cat.Nos		Rotary handles
1	6687 80		Direct Standard (grey)
1	6687 81		Vari-depth handle Comprising: connecting rod, bracket, drilling template, mounting accessories, door locking mechanism Standard (grey)
			Connection accessories
			Insulating shields Used to isolate the connection between each pole Set of 2 pieces
1	3P 6687 80	4P 6687 81	Spreaders Set of incoming or outgoing spreaders



Pack	Cat.Nos		Padlock for DRX 630
1	0 262 40		For locking on "OFF" position (up to 3 locks)
			Control and signalling auxiliaries for DRX 630 For DPX ³ , DPX ³ -I and DRX
1	4 210 11		Auxiliary contact or fault signal For signalling the state of the contacts or opening of the MCCB on a fault Changeover switch 3 A - 240 V~
			Shunt releases Shunt inrush power 300 V~
1	4 222 42		Coil voltage 230 V~ and =
1	4 222 43		400 V~ and =
			Undervoltage releases Undervoltage power consumption 5 V~
1	4 222 48		Coil voltage 220-240 V~
1	4 222 49		380-415 V~

Technical characteristics

	DRX 630 - 36 kA	DRX 630 - 50 kA
Number of poles	3P - 4P	3P - 4P
Releases type	thermal-magnetic	
Rated current In (A)	320, 400, 500, 630	
Rated insulation voltage (50/60Hz) Ui (V)	800	800
Rated operational voltage (50/60 Hz) Ue (V)	690	690
Rated impulse withstand voltage Uimp (kV)	8	8
Rated frequency (Hz)	50 - 60	50 - 60
Reference ambient temperature Tamb (°C)	40 - 50	40 - 50
Operating temperature (°C)	-25 to 70	-25 to 70
Rated ultimate short-circuit breaking capacity Icu (kA) IEC 60947-2	110/130 V~	70
	220/240 V~	70
	380/415 V~	36
	440/460 V~	30
Rated service short-circuit breaking capacity Ics (%Icu)	110/130 V~	100
	220/240 V~	100
Rated short-circuit making capacity Icm (at 415 V~)	110/130 V~	75.6
	220/240 V~	105
Neutral protection for 4P version (%Ith)	110/130 V~	100
	220/240 V~	100
Rated short-circuit breaking capacity on IT system Isu.lit (kA) IEC 60947-2 (Annexes C - H)	110/130 V~	18
	220/240 V~	18
	380/415 V~	9
	440/460 V~	8
Rated ultimate short-circuit breaking capacity Icu (kA) NEMA AB-1	220/240 V~	70
	480/500 V~	25
Category of use	110/130 V~	A
	220/240 V~	A
Suitable for isolation	Yes	Yes
Thermal adjustment Ir (A)	0.8 + 0.9 + 1 x In	
Magnetic adjustment Ii (A)	5 + 10 x In	
Endurance (cycles)	mechanical	6000
	electrical at In	2000
	electrical at 0.5 In	4000
Dimensions W x H x D (mm)	3P	140 x 260 x 105
	4P	184 x 260 x 105
Weight (kg)	3P	5.20
	4P	6.85

Deration chart

Thermal magnetic MCCBs

In (A)	Temperature Ta (°C)						
	10	20	30	40	50	60	70
320	416	384	352	320	320	288	256
400	475	460	425	400	400	360	320
500	600	550	525	500	500	455	410
630	700	683	650	630	630	580	530

Technical characteristics

	DRX 630 - 36 kA	DRX 630 - 50 kA	DRX 630 - 36 kA	DRX 630 - 50 kA
Number of poles	3P - 4P	3P - 4P	3P - 4P	3P - 4P
Releases type	Electronic S2	Electronic Sg	Electronic S2	Electronic Sg
Rated current In (A)	40-100-160-250	40-100-160-250	40-100-160-250	40-100-160-250
Rated insulation voltage (50/60Hz) Ui (V)	800	800	800	800
Rated operating voltage (50/60 Hz) Ue (V)	550	550	550	550
Rated impulse withstand voltage Uimp (kV)	8	8	8	8
Rated frequency (Hz)	50 - 60	50 - 60	50 - 60	50 - 60
Reference ambient temperature Tamb (°C)	40 - 50	40 - 50	40 - 50	40 - 50
Operating temperature (°C)	-25 to 70	-25 to 70	-25 to 70	-25 to 70
Rated ultimate short-circuit breaking capacity Icu (kA) IEC 60947-2	110/130 V~	70		
	220/240 V~	70		
	380/415 V~	36		
	440/460 V~	30		
Rated service short-circuit breaking capacity Ics (%Icu)	110/130 V~	100		
	220/240 V~	100		
Rated short-circuit making capacity Icm (at 415 V~)	110/130 V~	75.6		
	220/240 V~	105		
Neutral protection for 4P version (% Ith)	110/130 V~	0-50%-100%		
	220/240 V~	0-50%-100%		
Rated short-circuit breaking capacity on IT system Isu.lit (kA) IEC 60947-2 (Annexes C - H)	110/130 V~	18		
	220/240 V~	18		
	380/415 V~	9		
	440/460 V~	8		
Rated ultimate short-circuit breaking capacity Icu (kA) NEMA AB-1	220/240 V~	70		
	480/500 V~	25		
Category of use	110/130 V~	A		
	220/240 V~	A		
Suitable for isolation	Yes	Yes		
Overload, Ir (A)	0.4 to 1 In	0.4 to 1 In		
Overload time delay, tr (s)	3 - 5 - 10 - 15 - 20 - 30	3 - 5 - 10 - 15 - 20 - 30		
Short circuit, Isd (A)	1.5 to 10 Ir	1.5 to 10 Ir		
Short circuit time delay, tsd(s)	0.01 to 0.5	0.01 to 0.5		
Earth fault, Ig (A)		0.2 to 1In		
Earth fault time delay, tg (s)		0.1 to 1s		
Switchable Thermal Memory	Yes	Yes		
Overload Pre Alarm	>0.9Ir	>0.9Ir		
Over Temperature Alarm	T>90 °C	T>90 °C		
Endurance (cycles)	mechanical	6000		
	electrical at In	2000		
	electrical at 0.5 In	4000		
Dimensions W x H x D (mm)	3P	140 x 260 x 105		
	4P	184 x 260 x 105		
Weight (kg)	3P	5.20		
	4P	6.85		

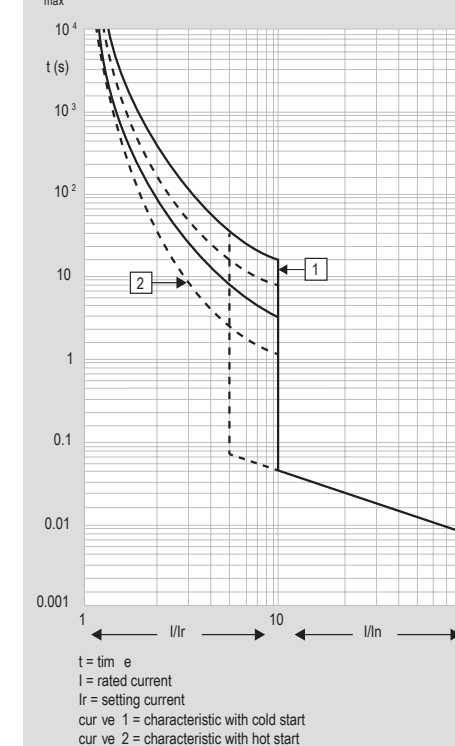
Deration chart

Electronic MCCBs

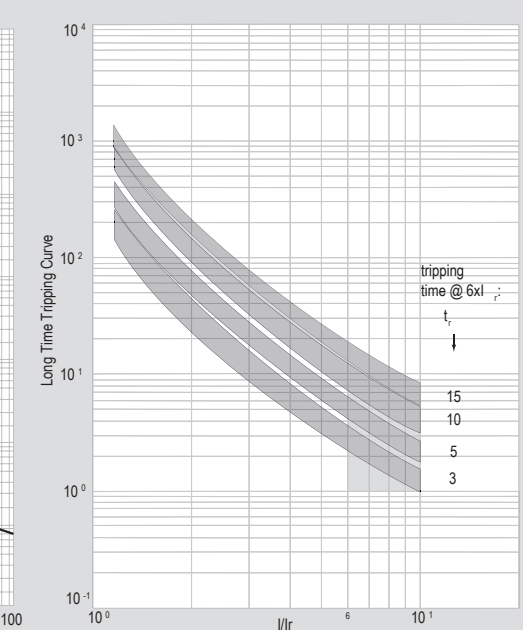
In (A)	Temperature Ta (°C)		
	up to 50	60	70
320	320	320	320
400	400	360	340
500	500	500	500
630	630	567	536

Curves - DRX 630

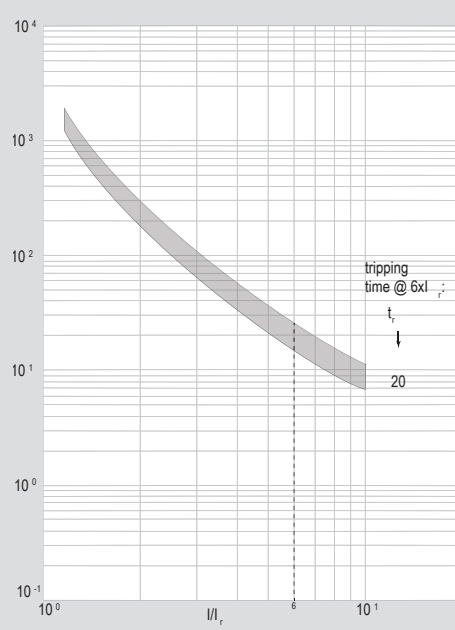
Thermal magnetic version tripping curve
I_{max} = 630 A from 36 kA to 50 kA 3P - 4P



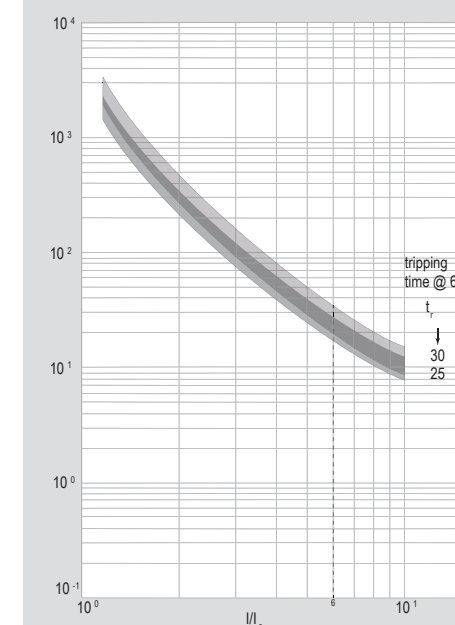
Electronic version overload tripping curve - 3 to 15 sec



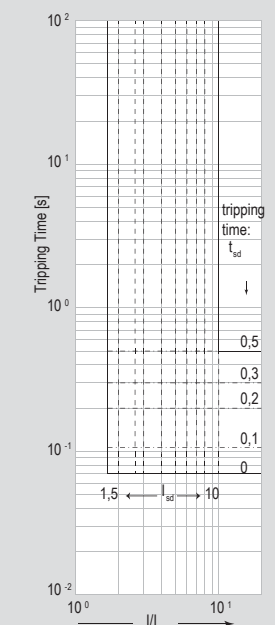
Electronic version overload tripping curve - 20 sec



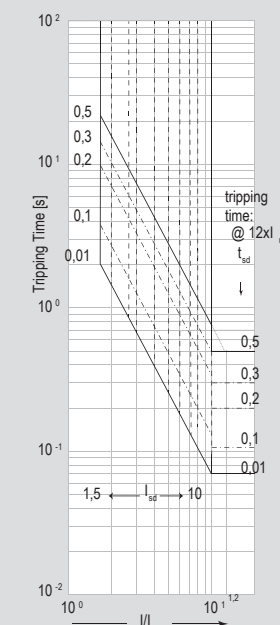
Electronic version overload tripping curve - 25 to 30 sec



Electronic version short circuit tripping curve - I2t OFF

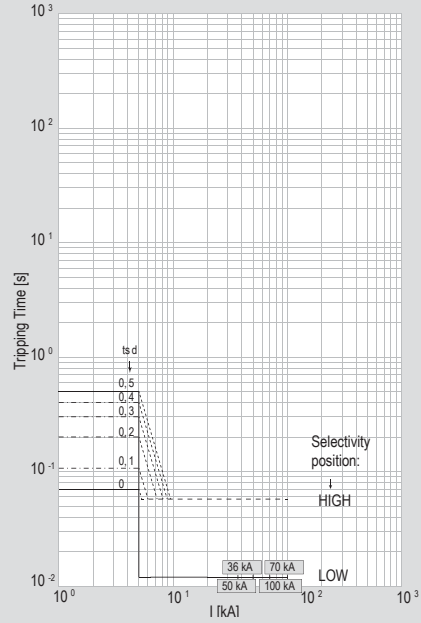


Electronic version Short circuit tripping curve - I2t = K

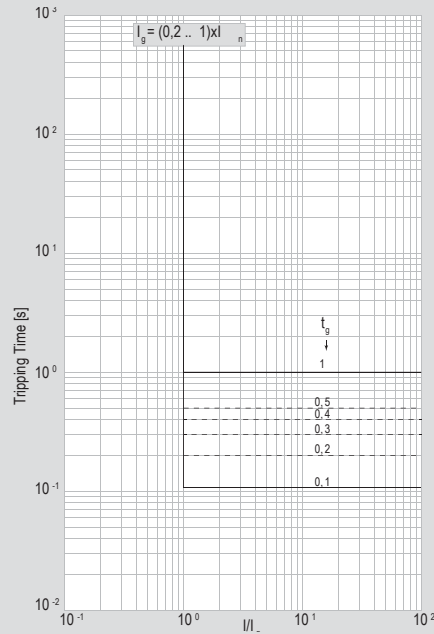


Curves - DRX 630

Electronic version
Instantaneous tripping curve

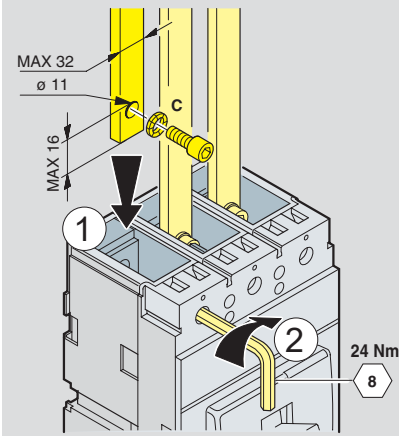


Electronic version
Instantaneous tripping curve

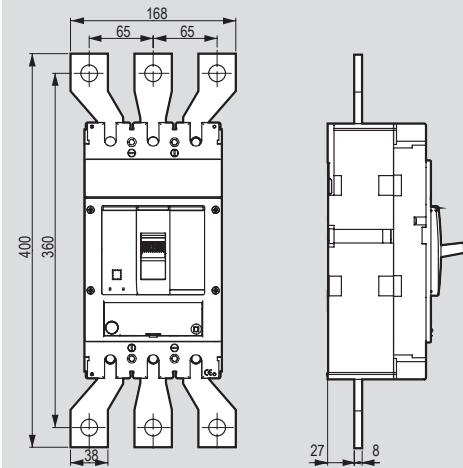


Connection

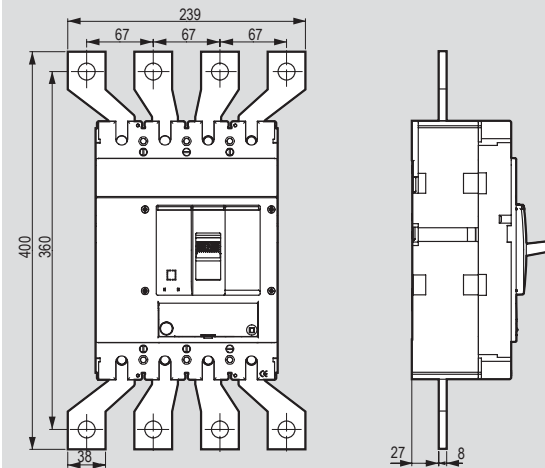
Connection via busbar



DRX630-3P

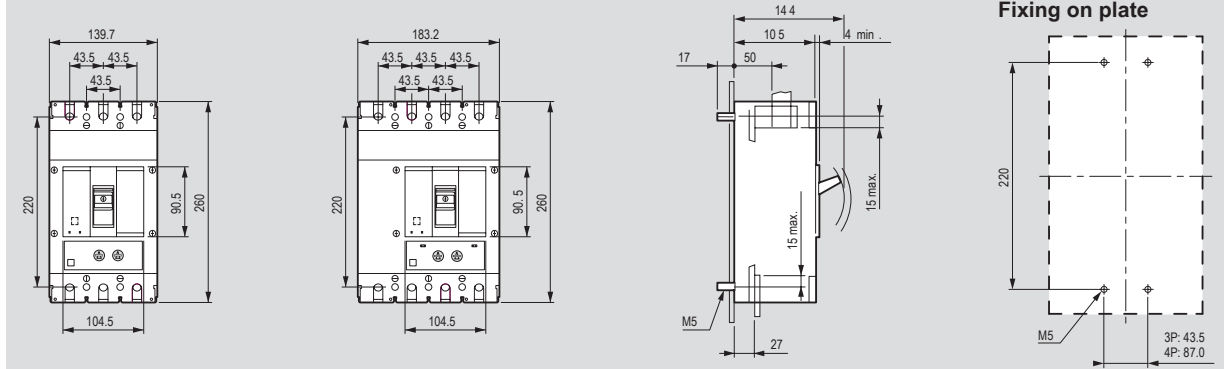


DRX630-4P

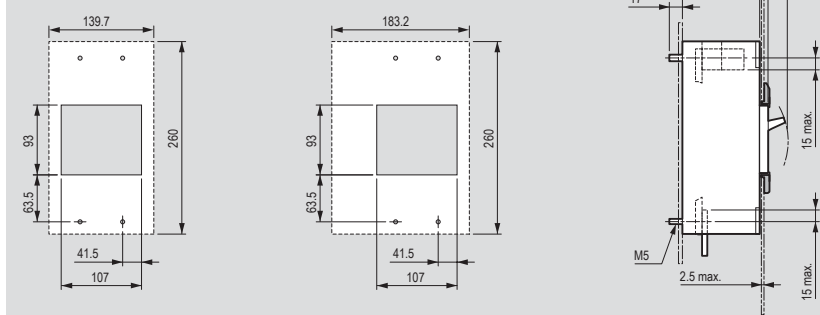


Dimensions

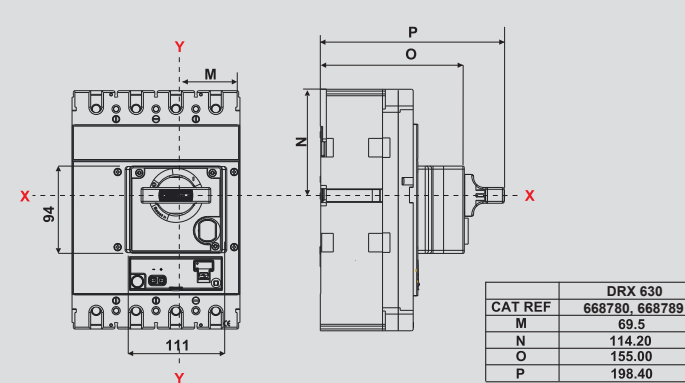
DRX 630 and DRX 630 adjustable



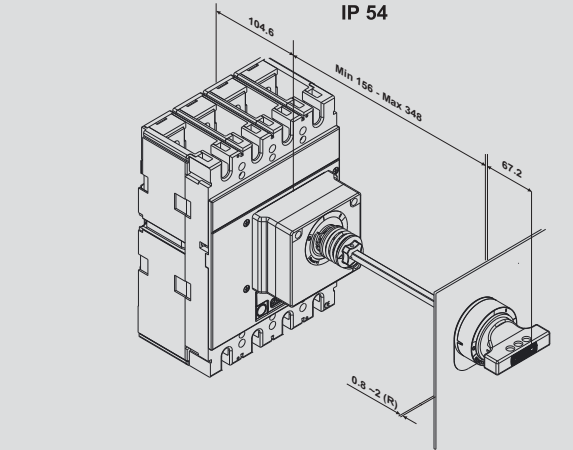
Door cut



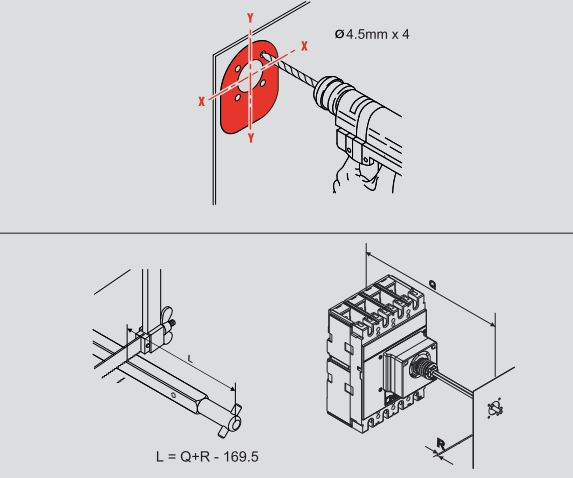
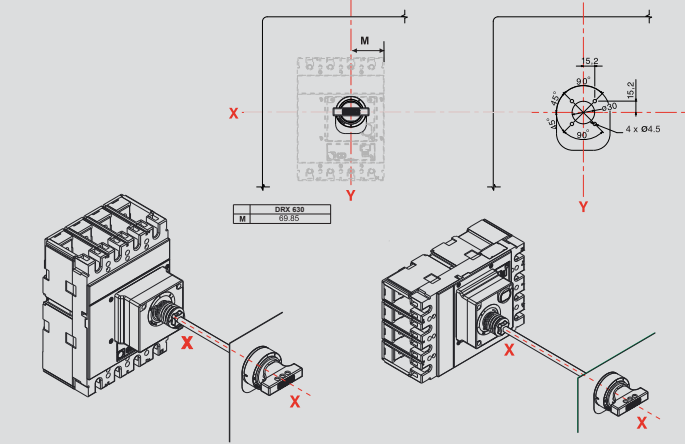
DRX630 - Mounting Details for Direct Rotary Handle

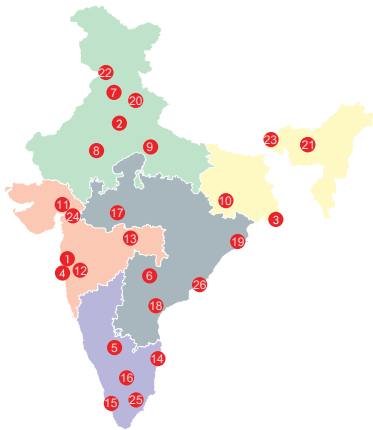


DRX630 - Mounting Details for Vary Depth Rotary Handle



Details for Door Cut-Out





Head offices

- 61 & 62, 6th Floor,
Kalpataru Square, Kondivita Road,
Off Andheri-Kurla Road, Andheri (E),
MUMBAI – 400 059.
Tel : (022) 3041 6200
Fax : (022) 3041 6201
Website : www.legrand.co.in

Regional sales offices

- A-25, Mohan Co-operative
Industrial Estate, Mathura Road,
NEW DELHI – 110 044.
Tel : (011) 3990 2200, 2699 0046,
(011) 2699 0028 / 29 / 30 / 31
Fax : (011) 2699 0047
- Bhakta Towers, 2nd & 3rd Floor,
Plot No. KB 22, Sector-III, Saltlake,
KOLKATA – 700 098.
Tel : (033) 4021 3535 / 36
Fax : (033) 4021 3537
- C/203, Corporate Avenue, Atul Projects,
Near Mirador Hotel, Chakala,
Andheri Ghatkopar Link Road,
Andheri – East, **MUMBAI** – 400 099.
Tel : (022) 3385 6200 / 62301000
- Ferozes Manor,
Situated at 58 Hospital Road,
Shivaji Nagar,
BANGALORE – 560 001.
Tel : (080) 6822 0000
- 205-208, 2nd Floor, Block - II,
White House, Kundan Bagh,
Begumpet,
HYDER ABAD – 500 016.
Tel : (040) 2341 4398 / 67, 4567 1717
Fax : (040) 6636 6974
- Unit 203, 2nd Floor, Tower- B,
Bestech Business Tower, Sector 66,
Mohali, **CHANDIGARH** -160066.
Telefax : (0141) 2208665, 666
- 507-510, 5th Floor, Soni Paris Point,
Jai Singh Highway, Banipark,
JAIPUR - 302 016.
Tel / Fax : (0141) 220 8665 / 666
- 209-A, 2nd Floor, Cyber Heights,
Opp. Indira Gandhi Pratishthan,
Vibhuti Khand, Gomti Nagar
LUCKNOW - 226 010.
Tel : (522) 319 2031 / 32 / 33
- 202 & 203, 2nd Floor, Sunrise,
Forum 100, Burdwan Compound, Lalpur,
RANCHI - 834 001.
- A 101-102, Mondeal Heights,
Besides Novotel Hotel, Sarkhej
Gandhinagar Highway (S G Highway),
AHMEDABAD – 380 015.
Tel : (079) 6134 0555
- 402, Swastik Chambers,
Near Ashwamegh Marriage Hall,
Behind HP Petrol Pump,
Off Karve Road, Erandwane,
PUNE – 411 004.
Tel : (020) 6729 5601 / 602
Fax : (020) 6729 5604
- Plot No.95, II Floor, Shreyash Heights,
VIP Road, Ramdaspath,
NAGPUR – 440 010.
Tel : (0712) 662 7857 / 858
Fax : (0712) 662 7859
- 10 B, (10th Floor), Prestige Center Court
Office Block Vijaya Forum Mall, #183,
N.S.K. Salai, Vadapalani
CHENNAI – 600 026.
Tel : (044) 6612 2800 / 2362 3125 / 35 / 45
Fax : (044) 2362 3165
- J. B. Manjoran Estate,
Door No 50/1107A9, 3rd Floor,
Bypass Junction, Edappally,
COCHIN – 682 024.
Tel : (0484) 280 1921 / 2921, 658 0921
- B-5, 1st Floor, Thirumalai Towers,
723, Avanashi Road,
COIMBATORE – 641 018.
Tel : (0422) 222 3634 / 668 3200
- 204-205, Megapolis Square,
579, M G Road,
INDORE – 452 001.
Tel : (0731) 4999 891 / 892

- MF-2, Datta's Lords House,
Jammi Chettu Street, Mogalrajapuram,
VIJAYAWADA – 520 010.
Tel : (0866) 248 2393/6393/5393
- Plot No. 359, Saheed Nagar,
2nd Floor,
BHUBANESWAR – 751 007.
Tel : (0674) 254 0623
- Unit - 1 & 2, Vijay Park,
Main Chakrata Road,
DEHRADUN - 248 001.
Uttarakhand.
Tel : (0135) 661 6100
- House No. 97, Ground Floor,
Rajgarh Main Road,
Opp. City Heart Nursing Home,
GUWAHATI – 781 007.
Tel : (0361) 245 8498

Area offices

- Cabin No. 9, Second Floor,
Madhok Trade Centre,
Madhok Complex, Ferozpur Road,
LUDHIANA – 141 001.
Tel : (0161) 277 0301 / 2 / 3 / 4
- 94, Udham Singh Sarani,
Ground Floor, Ashrampara,
SILIGURI – 734 001.
Tel : (0353) 264 1067
- A-207, Universal Business
Center, Near Madhuvan circle,
L.P. Savani Road, Adajan,
SURAT – 395 009.
- Aparna Towers, 1st Floor, 2/3,
Bypass Road,
MADURAI – 625 010.
Telefax : (0452) 230 8414
- 43-9-205, Near srikanya theatre
3rd floor, Plot No 10, Subbalaskhmi
Nagar, Allipuram Ward,
Dondapar thy Area,
VISHAKAPATHANAM – 530 016.
Tel : (0891) 273 5652 / 9363

Technical assistance from Legrand

Telephonic technical assistance for selection of products, technical information, guidance, wiring diagrams and estimation is now made available to you at each Regional Office. Contact the Technical Officer of Legrand at the following telephone numbers

- New Delhi** : Tel.: (011) 2699 0028, 3990 2200
Kolkata : Tel.: (033) 4021 3535 / 36
Mumbai : Tel.: (022) 3385 6200
Chennai : Tel.: (044) 3024 7200
Hyderabad : Tel.: (040) 2341 4398 / 67, 4567 1717

For other places, contact the nearest
Regional / Branch / Area offices

customer.care@legrand.co.in



LIVE THE ADVANTAGE